





Dell™ Systems

Rack Installation Guide



Notes, Notices, Cautions, and Warnings

-  **NOTE:** A NOTE indicates important information that helps you make better use of your computer.
-  **NOTICE:** A NOTICE indicates either potential damage to hardware or loss of data and tells you how to avoid the problem.
-  **CAUTION:** A CAUTION indicates a potentially hazardous situation which, if not avoided, may result in minor or moderate injury.
-  **WARNING:** A WARNING indicates a potentially hazardous situation which, if not avoided, may result in severe injury.

Information in this document is subject to change without notice.
© 2001 Dell Computer Corporation. All rights reserved.

Reproduction in any manner whatsoever without the written permission of Dell Computer Corporation is strictly forbidden.

Trademarks used in this text: *Dell*, the *DELL* logo, *PowerEdge*, *RapidRails*, and *VersaRails* are trademarks of Dell Computer Corporation.

Other trademarks and trade names may be used in this document to refer to either the entities claiming the marks and names or their products. Dell Computer Corporation disclaims any proprietary interest in trademarks and trade names other than its own.

Contents

Safety Instructions	1-1
Installation Instructions	1-2
RapidRails Rack Kit Contents	1-2
Dell Rack Requirements	1-3
VersaRails Rack Kit Contents	1-3
Non-Dell Rack Requirements	1-4
Before You Begin	1-4
Important Safety Information	1-4
Rack Stabilizer Feet	1-4
Recommended Tools and Supplies	1-5
Installation Tasks	1-5
Removing the Rack Doors	1-5
Marking the Rack	1-5
Installing the RapidRails Mounting Rails	1-7
Installing the VersaRails Mounting Rails	1-9
Installing the Tower-to-Rack Conversion Kit	1-10
Removing the Bezel, Drives, Covers, and Front Panel	1-10
Installing the Rack Front Panel	1-13
Installing the System in the Rack	1-14
Replacing the Rack Doors	1-15

Index

Figures

Figure 1-1.	RapidRails Rack Kit Contents	1-3
Figure 1-2.	VersaRails Rack Kit Contents	1-3
Figure 1-3.	One Rack Unit.	1-6
Figure 1-4.	Marking the Vertical Rails	1-7
Figure 1-5.	Installing the RapidRails Mounting Rails	1-8
Figure 1-6.	Installing the VersaRails Mounting Rails	1-9
Figure 1-7.	Removing the Front Bezel	1-11
Figure 1-8.	Removing the Tower System Cover.	1-12
Figure 1-9.	Installing the Rack Front Panel	1-14
Figure 1-10.	Installing the System in the Rack.	1-15


Safety Instructions


Use the following safety guidelines to ensure your own personal safety and to help protect your server, storage system, or appliance from potential damage. For complete safety, regulatory, and warranty information, refer to your Dell™ system's *System Information* document.

Precautions for Rack-Mountable Products

Observe the following precautions for rack stability and safety. Also refer to the rack installation documentation accompanying the system and the rack for specific warning and/or caution statements and procedures.

Servers, storage systems, and appliances are considered to be components in a rack. Thus, “component” refers to any server, storage system, or appliance, as well as to various peripherals or supporting hardware.

 CAUTION: Installing system components in a rack without the front and side stabilizers installed could cause the rack to tip over, potentially resulting in bodily injury or death under certain circumstances. Therefore, always install the stabilizers before installing components in the rack.

 CAUTION: After installing system/components in a rack, never pull more than one component out of the rack on its slide assemblies at one time. The weight of more than one extended component could cause the rack to tip over and injure someone.




NOTE: Your Dell system is safety-certified as a free-standing unit and as a component for use in a Dell rack cabinet using the Dell customer rack kit. The installation of your system and rack kit in any non-Dell rack cabinet has not been approved by any safety agencies. It is your responsibility to have the final combination of system and rack kit in a non-Dell rack cabinet evaluated for suitability by a certified safety agency. Dell disclaims all liability and warranties in connection with such combinations.


- System rack kits are intended to be installed in a Dell rack by trained service technicians. If you install the kit in any other rack, be sure that the rack meets the specifications of a Dell rack.
- Do not move large racks by yourself. Due to the height and weight of the rack, it is recommended that a minimum of two people perform this task.
- Before working on the rack, make sure that the stabilizers are secured to the rack, extend to the floor, and that the full weight of the rack rests on the floor. Install front and side stabilizers on a single rack or front stabilizers for joined multiple racks before working on the rack.

- Always load the rack from the bottom up, and load the heaviest item in the rack first.
- Make sure that the rack is level and stable before extending a component from the rack.
- Use caution when pressing the component rail release latches and sliding a component into or out of a rack; the slide rails can pinch your fingers.
- After a component is inserted into the rack, carefully extend the rail into a locking position, and then slide the component into the rack.
- Do not overload the AC supply branch circuit that provides power to the rack. The total rack load should not exceed 80 percent of the branch circuit rating.
- Ensure that proper airflow is provided to components in the rack.
- Do not step on or stand on any system/component when servicing other systems/components in a rack.

Installation Instructions

This installation guide provides instructions for trained service technicians installing one or more systems in a rack cabinet. The RapidRails™ rack kit can be installed in all Dell™ rack cabinets, and the VersaRails™ rack kit can be installed in most industry-standard rack cabinets. The procedures for installing both RapidRails and VersaRails rack kits are similar. One rack kit is required for each system to be installed in the rack cabinet.

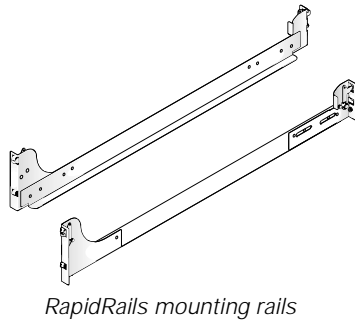
 **CAUTION:** Do not attempt to install rack kit components designed for another system. Use only the rack kit for your system. Using the rack kit for another system may result in damage to the system and personal injury to yourself and to others.

 **NOTE:** If your system is a tower version, you must first convert the system to a rack version using a tower-to-rack conversion kit. Instructions for installing this kit are included in this document.

RapidRails Rack Kit Contents

The RapidRails rack kit consists of one pair of RapidRails mounting rails (see Figure 1-1).

Figure 1-1. RapidRails Rack Kit Contents



Dell Rack Requirements

- ➔ **NOTICE:** This rack kit is intended to be installed in a Dell rack by trained service technicians. If you install the kit in any other rack, be sure that the rack meets the specifications of American National Standards Institute (ANSI)/Electronic Industries Association (EIA) standard ANSI/EIA-310-D-92, International Electrotechnical Commission (IEC) 297, and Deutsche Industrie Norm (DIN) 41494. One rack kit is required for each system that is installed in a rack.


VersaRails Rack Kit Contents

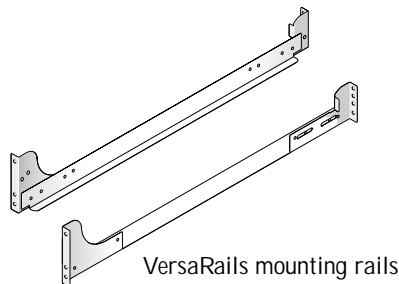
The VersaRails rack kit includes the following items (see Figure 1-2):

- One pair of VersaRails mounting rails
- Eight 10-32 x 0.5-inch Phillips screws

🔩 **NOTE:** The nonmetric screws described in illustrations and in procedural steps are identified by size and number of threads-per-inch. For example, a #10 Phillips-head screw with 32 threads per inch is identified as a 10-32 screw.

Figure 1-2. VersaRails Rack Kit Contents


10-32 x 0.5-inch
pan-head Phillips
screws (8)



Non-Dell Rack Requirements

- ➔ **NOTICE:** This rack kit is intended to be installed by trained service technicians in a rack that meets the specifications of American National Standards Institute (ANSI)/Electronic Industries Association (EIA) standard ANSI/EIA-310-D-92, International Electrotechnical Commission (IEC) 297, and Deutsche Industrie Norm (DIN) 41494. One rack kit is required for each system that is installed in a rack.

Before You Begin

Before you install your system in the rack, read the “Safety Instructions” in the front of this document, as well as the safety instructions in your *System Information* booklet for additional information.

- ⚠ **CAUTION:** When installing multiple systems in a rack, complete all of the procedures for the current system before attempting to install the next system.

Important Safety Information

Observe the safety precautions in the following subsections when installing your system in the rack.

- ⚠ **CAUTION:** You must strictly follow the procedures in this document to protect yourself as well as others who may be involved. Your system may be very large and heavy, and proper preparation and planning are important to prevent injury to yourself and others. This becomes increasingly important when systems are installed high up in the rack.

Rack Stabilizer Feet

- ⚠ **CAUTION:** Installing systems in a rack without the front and side stabilizer feet installed and anchored to the floor could cause the rack to tip over, potentially resulting in bodily injury or death under certain circumstances. Therefore, always install and anchor the stabilizer feet before installing components in the rack.

- ⚠ **CAUTION:** After installing systems in a rack, never pull more than one system out of the rack at one time. The weight of more than one extended system could cause the rack to tip over and cause injury.

The stabilizer feet help prevent the rack from tipping over when a system or other component is pulled out of the rack. See the documentation provided with the rack cabinet for instructions on installing and anchoring the stabilizer feet.

Recommended Tools and Supplies

The following items make the installation easier:

- A #2 Phillips screwdriver (if installing a VersaRails kit)
- Torx T-10 driver (if installing the tower-to-rack kit)
- 3/16-inch hex-head wrench (if installing the tower-to-rack kit)

Installation Tasks

Installing a rack kit involves the following tasks:

- 1 Removing the rack doors
- 2 Marking the rack
- 3 Installing the mounting rails in the rack
- 4 Installing the tower-to-rack conversion kit (if needed)
- 5 Installing the system in the rack
- 6 Replacing the rack doors



NOTE: The procedures that follow apply to both Dell rack cabinets and rack cabinets not manufactured by Dell unless identified as specific to one or the other.

Removing the Rack Doors

See the procedures for removing doors in the documentation provided with your Dell 24-U and 42-U rack cabinets. If you have a Dell PowerEdge™ 4210 rack cabinet, see the procedures in the *Dell PowerEdge 4210 Rack Installation Guide*. If you have a rack cabinet not manufactured by Dell, see the manufacturer's documentation for removing doors.



CAUTION: Because of the size and weight of the rack cabinet doors, never attempt to remove or install them by yourself.

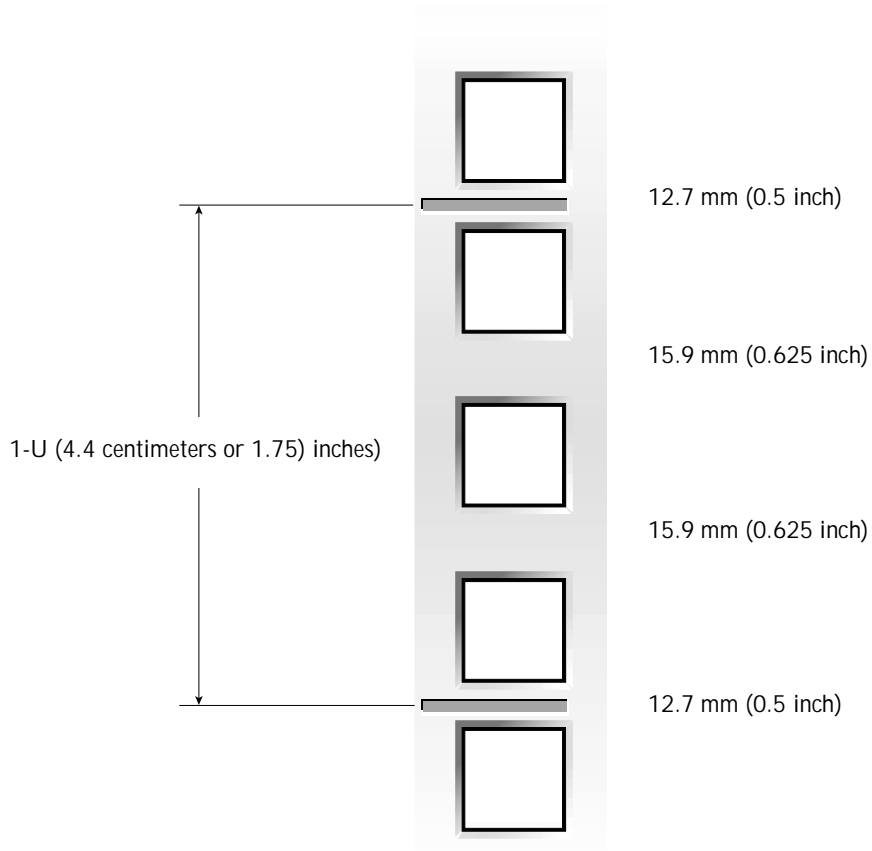
Marking the Rack



NOTE: If you are installing a VersaRails rack kit, skip to the procedure, "Installing the VersaRails Mounting Rails."

You must allow 3-U (5.25 inches) of vertical space for each system you install in the rack. Dell rack cabinets and rack cabinets not manufactured by Dell that meet EIA-310 standards have an alternating pattern of three holes per U with center-to-center hole spacing (beginning at the top hole of a 1-U space) of 15.9 mm, 15.9 mm, and 12.7 mm (0.625-inch, 0.625-inch, and 0.5-inch) for the front and rear vertical rails (see Figure 1-3).

Figure 1-3. One Rack Unit



For more information about requirements for installing components in a Dell rack, see the Dell Rack Advisor software available on the Dell website at <http://support.dell.com>.

⚠ CAUTION: If you are installing more than one system, install the mounting rails so that the first system is installed in the lowest available position in the rack.

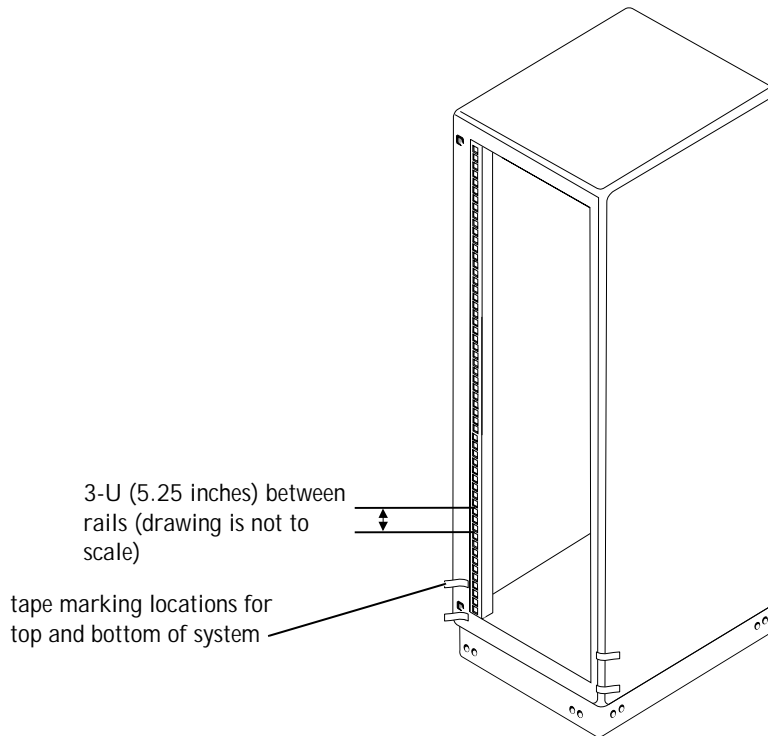
To mark the rack, perform the following steps:

- 1 Place a mark on the rack's front vertical rails where you want to locate the bottom of the system you are installing in the rack cabinet.


The bottom of each 1-U space is at the middle of the narrowest metal space between holes (marked with a horizontal line on some rack cabinets—see Figure 1-3).

- 2 Place a mark 13.3 centimeters (5.25 inches) above the original mark (or count up nine holes in a rack that meets EIA-310 standards) and mark the rack's front vertical rails with a felt-tipped marker or place masking tape where the system's upper edge will be located (see Figure 1-4).

Figure 1-4. Marking the Vertical Rails



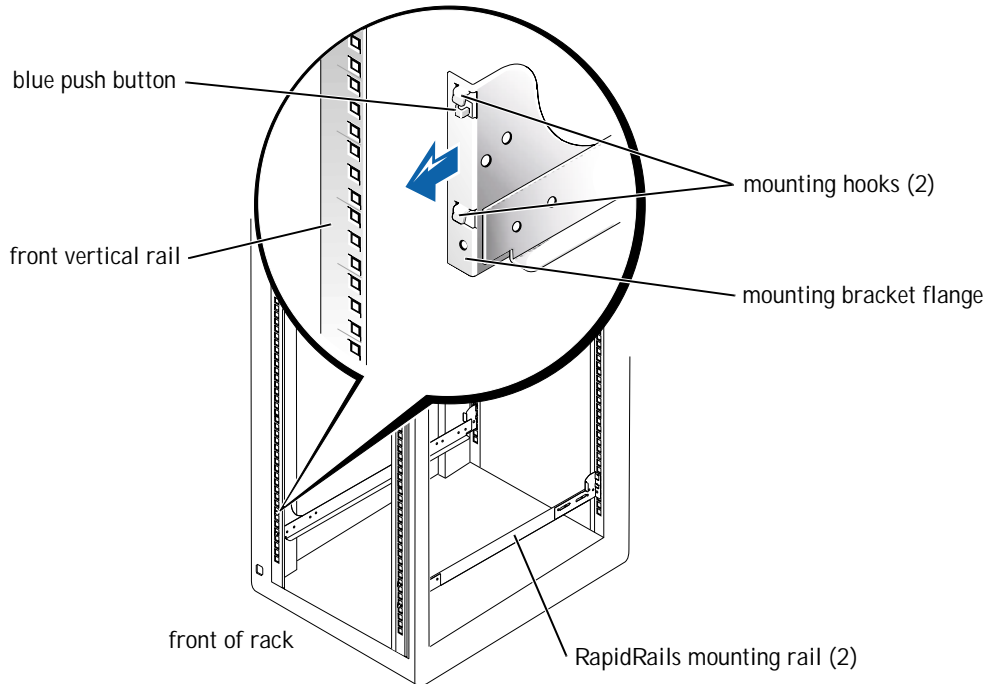
Installing the RapidRails Mounting Rails

 NOTE: If you are installing VersaRails rails, see “Installing the VersaRails Mounting Rails.”

- 1 At the front of the rack cabinet, position one of the mounting rails so that its mounting-bracket flange fits between the marks or tape you placed on the rack (see Figure 1-5).
- 2 Align the rail mounting-bracket flange (on the front of the rail) with the square holes in the front vertical rails (see Figure 1-5).

- 3 Push the rail forward until the mounting hooks are positioned in their square holes on the vertical rail, and then push down on the mounting-bracket flange until the mounting hooks seat in the square holes, and the blue push button pops out and clicks.

Figure 1-5. Installing the RapidRails Mounting Rails



- 4 At the back of the cabinet, pull back on the mounting-bracket flange until the mounting hooks are positioned in their square holes on the vertical rail, and then push down on the mounting-bracket flange until the mounting hooks seat in the square holes, and the blue push button pops out and clicks.
- 5 Repeat steps 1 through 4 for the remaining rail on the other side of the rack.
- 6 Ensure that the rails are mounted at the same position on the vertical rails on each side of the rack.

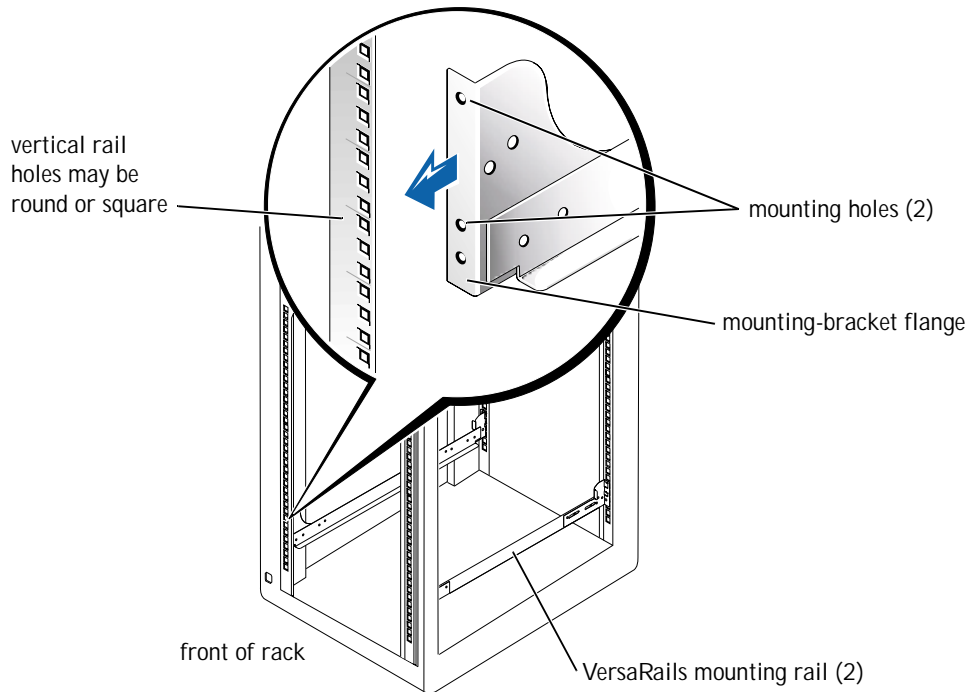
Installing the VersaRails Mounting Rails

 NOTE: If you have already installed RapidRails mounting rails, skip this section.

- 1 At the front of the rack cabinet, position one of the mounting rails so that its mounting-bracket flange fits at the location you have selected in the rack (see Figure 1-6).

The vertical rail holes in rack cabinets may be round or square.


Figure 1-6. Installing the VersaRails Mounting Rails




- 2 Push the mounting rail forward until the mounting holes are aligned with the holes on the front vertical rail.
- 3 Using two 10-32 x 0.5 Phillips screws, secure the front mounting-bracket flange to the front vertical rail.
- 4 At the back of the cabinet, pull back on the back mounting-bracket flange until it is aligned with the holes on the back vertical rail.

- 5 Using two 10-32 x 0.5 Phillips screws, secure the back mounting-bracket flange to the back vertical rail.
- 6 Repeat steps 1 through 5 for the remaining mounting rail on the other side of the rack.
- 7 Ensure that the mounting rails are mounted at the same position on the vertical rails on each side of the rack.

Installing the Tower-to-Rack Conversion Kit

 **NOTE:** If you have a rack-only version of the system, skip this procedure and proceed to "Installing the System in the Rack."

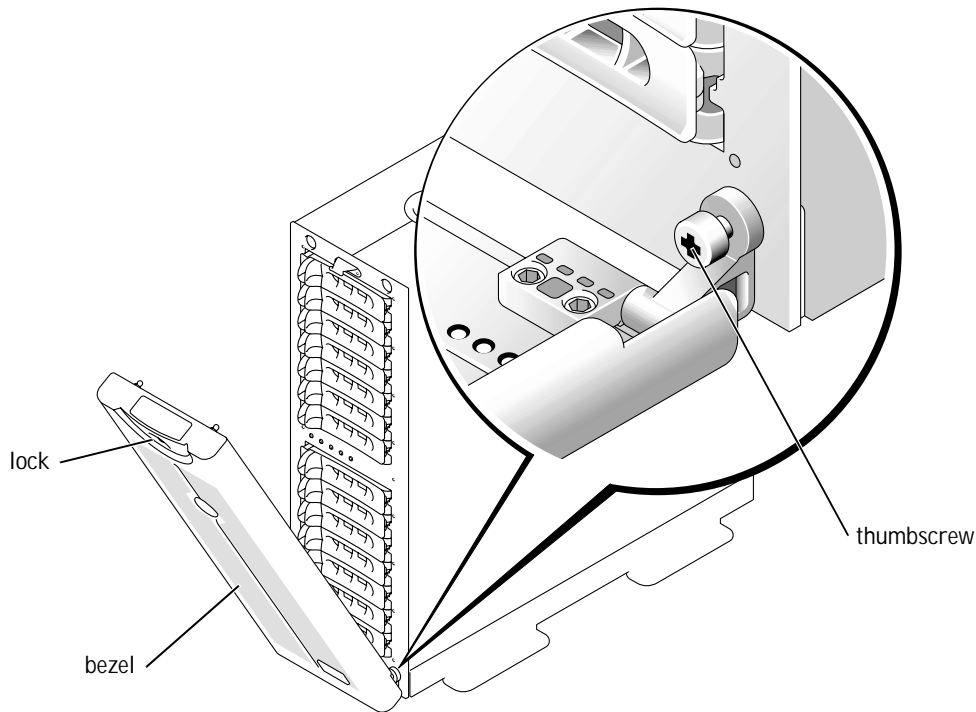
 **CAUTION:** Your system may be very large and heavy. To prevent personal injury, do not attempt to move the system by yourself.

The tower-to-rack conversion kit includes a rack front panel with rack handles and thumbscrews.

Removing the Bezel, Drives, Covers, and Front Panel

- 1 Shut down and turn off power to your system and disconnect your power and peripheral cables.
- 2 To remove the bezel (see Figure 1-7):
 - a Using the system key, unlock the front bezel.
 - b Swing the bezel away and down from the system until it is perpendicular to the system.
 - c Loosen the two thumbscrews that secure the bezel hinge to the front panel (see Figure 1-7).
 - d Pull the bezel away and set it aside.

Figure 1-7. Removing the Front Bezel



3 Label all hard drives and remove them from the system.



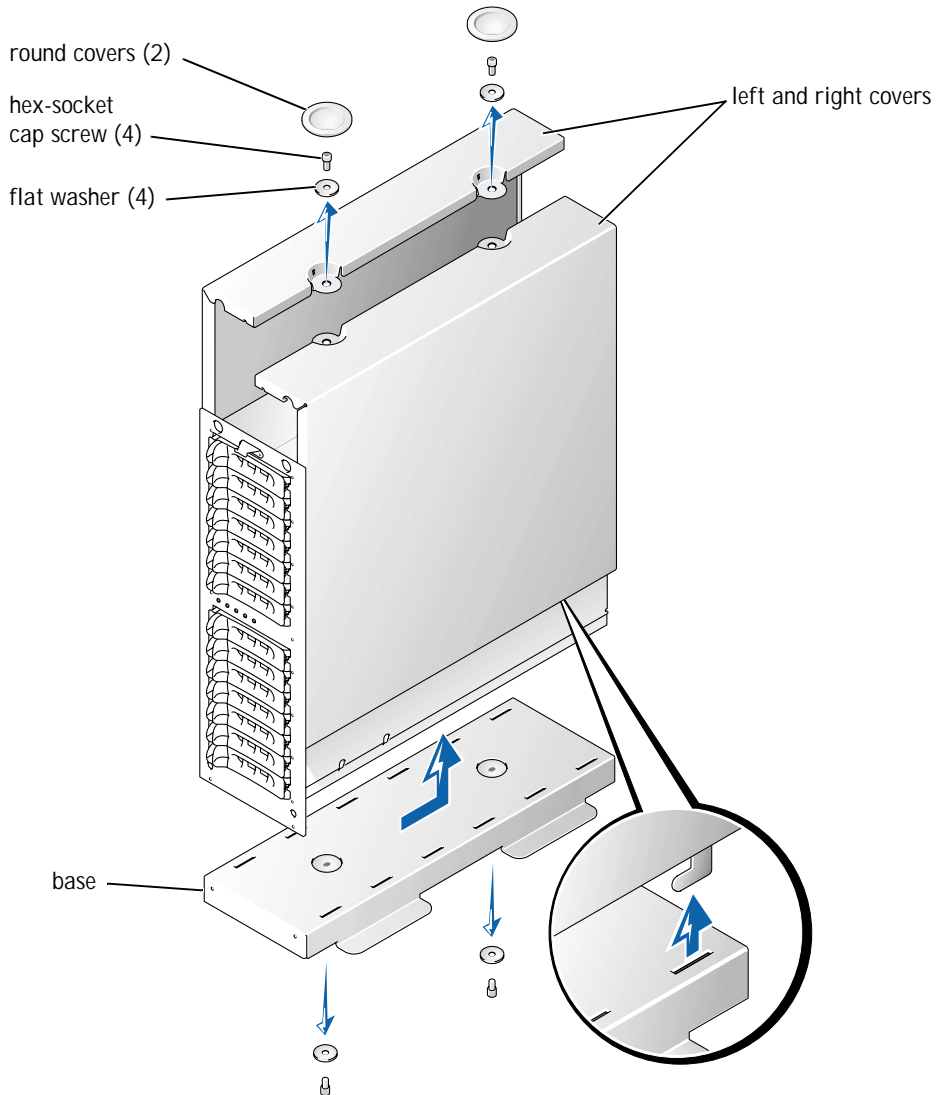
NOTE: Although it is not necessary for the conversion, you might want to remove the two power-supply and cooling modules at the back of the system chassis to reduce the weight of the chassis while you are performing this procedure (see your system *Installation and Troubleshooting Guide* for instructions for removing and replacing these modules).

4 To remove the system left and right covers (see Figure 1-8):

- a Remove the two round covers from the top of the tower system.
- b Use a 3/16-inch hex-head (Allen) wrench to remove the hex-socket cap screws and flat washers from the top of the tower system.
- c Slide the left and right cover back, away from the chassis front to disengage, and pull the covers up, away from the base to remove.

- 5 To remove the tower system base:
 - a Lay the system on its right side.
 - b Use a 3/16-inch hex-head (Allen) wrench to remove the two hex-socket cap screws and flat washers from the base of the tower chassis
 - c Remove the base and set it aside (see Figure 1-8).

Figure 1-8. Removing the Tower System Cover



- 6 To remove the tower system front panel (see Figure 1-9):
 - a Position the system so that the front panel extends about 2.5 centimeters (1 inch) beyond the edge of the table or work surface.
 - b Remove the 14 4-40 x 0.25-inch pan head black T-10 Torx screws that secure the tower front panel to the chassis.
 - c Remove the front panel from the system chassis, taking care to avoid damaging the five plastic light pipes that extend through the front panel.

Installing the Rack Front Panel



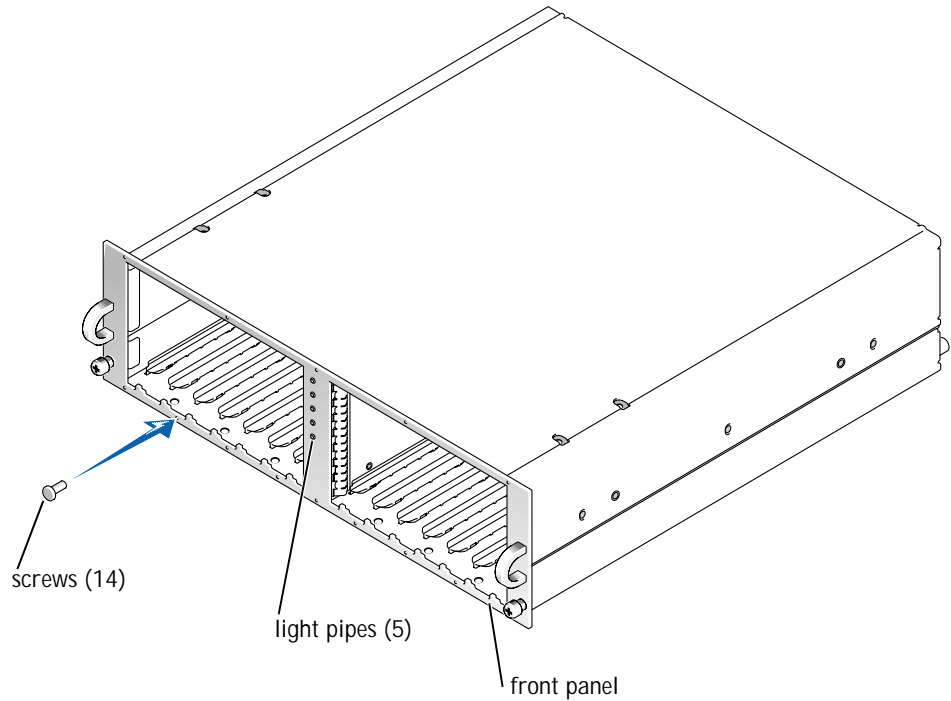
- 1 Position the rack front panel on the front of the system chassis, using care to install the five light pipes in their holes in the front panel.
 -  NOTE: In the next step, start all 14 T-10 Torx screws in their holes before tightening any of the screws to ensure proper alignment.
- 2 Secure the rack front panel to the chassis with the 14 T-10 Torx screws that you removed in step 6 of the last procedure, “Removing the Bezel, Drives, Covers, and Front Panel” (see Figure 1-9).
- 3 Reinstall the power and cooling modules (if they were removed).
 -  NOTE: Do not install the hard drives until the next procedure, “Installing the System in the Rack,” is completed.

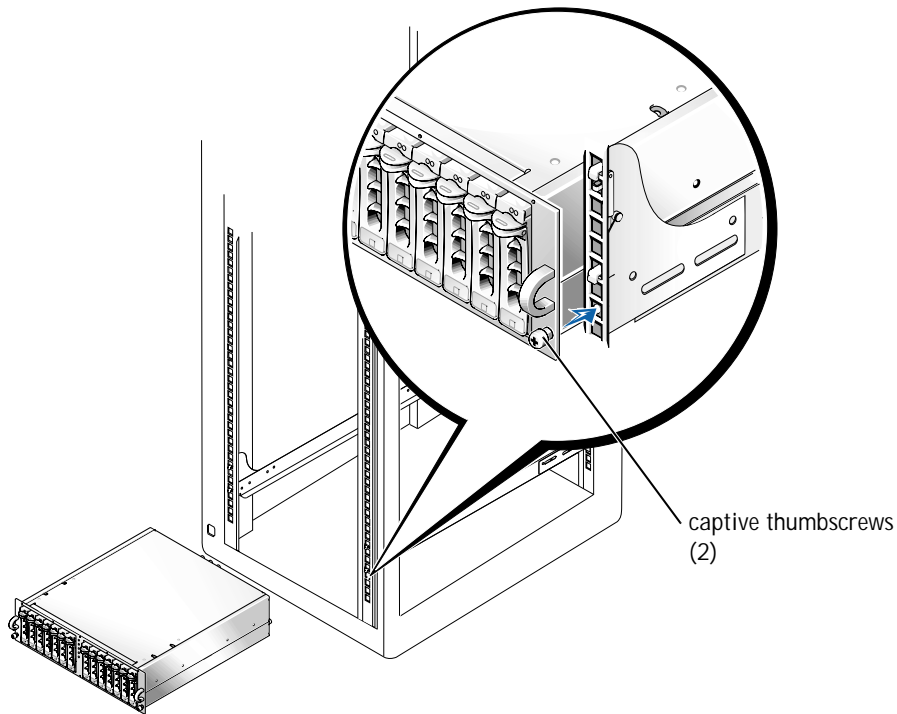
Figure 1-9. Installing the Rack Front Panel



Installing the System in the Rack

- ⚠ CAUTION:** If you are installing more than one system, install the heaviest system in the lowest available position in the rack.
- ⚠ CAUTION:** *Never* pull more than one component out of the rack at a time.
 - 1 **Lift the system into position in front of the mounting rails you installed in the rack cabinet.**
- ⚠ CAUTION:** Because of the size and weight of the system, never attempt to install the system in the rails by yourself.
 - 2 **Slide the system into the rack until the system front panel is against the vertical rails (see Figure 1-10).**
 - 3 **Tighten the captive thumbscrews on each side of the system's front panel.**

Figure 1-10. Installing the System in the Rack



Replacing the Rack Doors

See the procedures for replacing doors in the documentation provided with your Dell 24-U and 42-U rack cabinets. If you have a Dell PowerEdge 4210 rack cabinet, see the procedures in the *Dell PowerEdge 4210 Rack Installation Guide*. If you have a rack cabinet not manufactured by Dell, see the manufacturer's documentation for replacing doors.

This completes the rack installation of your system.

Index

C

contents of rack kit, 1-2, 1-3

D

Dell rack requirements, 1-3

Dell Web site, 1-6

doors

removing, 1-5

replacing, 1-15

I

installation

tasks, 1-5

installing

rack front panel, 1-13

RapidRails mounting
rails, 1-7, 1-8

system in rack, 1-14, 1-15

tower-to-rack kit, 1-10

VersaRails mounting rails, 1-9

K

kit contents

illustrated, 1-3

list of, 1-2, 1-3

RapidRails kit, 1-2

VersaRails kit, 1-3

M

marking the rack, 1-5

N

non-Dell rack

requirements, 1-4

R

rack

marking, 1-5

stabilizer feet, 1-4

rack kit contents

illustrated, 1-3

installing, 1-5

list of, 1-2

rack unit, 1-6

RapidRails

kit contents, 1-2

RapidRails mounting rails

installing, 1-8

requirements

Dell rack, 1-3

non-Dell rack, 1-4

S

safety information, 1-4

system

installing in rack, 1-14, 1-15

T

tools

recommended, 1-5

tower-to-rack

installing, 1-10

V

VersaRails

kit contents, 1-3

non-Dell rack

requirements, 1-4

vertical rails

marking, 1-7





one rack unit, 1-6

Systemes Dell™

Guide d'installation du rack



Remarques, mises en gardes et avertissements

-  **REMARQUE** : UNE REMARQUE indique une information importante destinée à vous aider à mieux utiliser votre ordinateur.
-  **MISE EN GARDE** : UNE MISE EN GARDE indique un dommage potentiel pouvant survenir (ou une perte de données) et vous dit comment éviter le problème.
-  **ATTENTION** : Le message ATTENTION indique une situation potentiellement dangereuse qui, si elle n'est pas évitée, peut provoquer une blessure mineure ou modérée.
-  **AVERTISSEMENT** : Le message AVERTISSEMENT indique une situation potentiellement dangereuse qui, si elle n'est pas évitée, peut provoquer une blessure mineure ou modérée.

**Les informations fournies dans ce guide sont susceptibles d'être modifiées sans préavis.
© 2001 Dell Computer Corporation. Tous droits réservés**

La reproduction de ce document de quelque manière que ce soit sans l'autorisation écrite de Dell Computer Corporation est strictement interdite.

Marques déposées utilisées dans ce guide : *Dell*, le logo *DELL*, *PowerEdge*, *RapidRails* et *VersaRails* sont des marques de Dell Computer Corporation.

Toutes les autres marques déposées et noms de marques utilisés dans ce document se rapportent aux sociétés propriétaires des marques et des noms de ces produits. Dell Computer Corporation décline tout intérêt dans l'utilisation des marques déposées et des noms de marques ne lui appartenant pas.

Sommaire

Instructions de sécurité	2-1
Instructions d'installation	2-2
Contenu du kit du rack RapidRails	2-3
Caractéristiques techniques du rack Dell	2-3
Contenu du kit du rack VersaRails	2-3
Caractéristiques techniques des racks d'autres marques que Dell	2-4
Avant de commencer	2-4
Informations importantes sur la sécurité	2-4
Pieds stabilisateurs du rack	2-5
Outils et fournitures recommandés	2-5
Tâches d'installation	2-5
Retrait des portes du rack	2-6
Marquage du rack	2-6
Installation des rails de montage RapidRails	2-8
Installation des rails de montage VersaRails	2-10
Installation du kit de conversion de tour en rack	2-11
Retrait du cache, des disques, des capots et du panneau avant	2-11
Installation du panneau avant du rack	2-14
Installation du système dans le rack	2-15
Remise en place des portes du rack	2-16

Index

Figures

Figure 2-1.	Contenu du kit du rack RapidRails	2-3
Figure 2-2.	Contenu du kit du rack VersaRails	2-4
Figure 2-3.	Unité à un rack	2-7
Figure 2-4.	Marquage des rails verticaux	2-8
Figure 2-5.	Installation des rails de montage RapidRails	2-9
Figure 2-6.	Installation des rails de montage VersaRails.	2-10
Figure 2-7.	Retrait du cache avant.	2-12
Figure 2-8.	Retrait du capot du système en tour	2-13
Figure 2-9.	Installation du panneau avant du rack	2-15
Figure 2-10.	Installation du système dans le rack	2-16


Instructions de sécurité


Respectez les consignes de sécurité de ce guide pour assurer votre sécurité personnelle et pour contribuer à protéger votre serveur, votre système de stockage ou appareil, des dommages potentiels. Pour obtenir toutes les informations de sécurité réglementaires et les garanties, reportez-vous au document intitulé *Informations système* concernant votre système Dell™.


Précautions à suivre concernant les produits destinés à être montés dans des racks

Pour la stabilité du rack et pour votre sécurité, veuillez respecter les précautions suivantes. Reportez-vous également à la documentation accompagnant le système et le rack pour connaître les avertissements et/ou les mises en garde et les procédures spécifiques.

Les serveurs, les systèmes de stockage et les appareils sont considérés comme les composants d'un rack. Ainsi, le terme "composant" fait référence à tout serveur, tout système de stockage ou appareil, aussi bien qu'aux différents périphériques ou matériels.

 **ATTENTION** : L'installation de composants d'un système dans un rack sans placer de stabilisateurs avant et latéraux peut provoquer le basculement du rack, et comporte ans certaines situations un risque de blessures pouvant être mortelles. C'est pourquoi il faut toujours installer les stabilisateurs avant d'installer les composants du rack.

 **ATTENTION** : Après avoir installé le système/les composants dans un rack, ne tirez jamais plus d'un composant du rack sur les supports coulissants. Le poids représenté par plus d'un composant étendu pourrait en effet provoquer le basculement du rack et blesser l'utilisateur.


 **REMARQUE** : Votre système Dell est certifié sur le plan de la sécurité en tant qu'unité autonome et en tant que composant destiné à être utilisé dans une armoire rack Dell, à l'aide du kit de rack client de Dell. L'installation du système et du kit de rack Dell dans un rack d'une autre marque n'a reçu aucune homologation des organismes de certification de la sécurité. Il est de votre entière responsabilité de faire évaluer par un organisme de sécurité agréé la combinaison finale du système et du kit de rack Dell dans un rack d'une autre marque. Dell décline toute responsabilité et toutes garanties liées à ce type de combinaisons.


- Les kits de racks sont destinés à être installés dans un rack Dell par des techniciens expérimentés. Si vous installez ce kit dans tout autre rack, assurez-vous que ce rack répond à toutes les spécifications d'un rack Dell.
- Ne déplacez pas seul les racks volumineux. En raison de la hauteur et du poids du rack, il est recommandé de confier l'exécution de cette tâche à deux personnes au minimum.

- Avant de travailler sur le rack, assurez-vous que les stabilisateurs sont bien en place sur le rack et au sol, et que tout le poids du rack repose sur le sol. Installez les stabilisateurs avant et latéraux (pour un rack simple) ou les stabilisateurs avant (pour les racks multiples) avant de travailler sur le rack.
- Chargez toujours le rack du bas vers le haut, en plaçant toujours la plus forte charge en premier.
- Assurez-vous que le rack est bien de niveau avant de sortir l'un des composants à l'aide des supports coulissants.
- Agissez avec précaution lorsque vous appuyez sur les verrous des rails pour les libérer et faire glisser un composant hors ou dans le rack. Les rails coulissants pourraient en effet vous coincer les doigts.
- Après avoir inséré un composant dans le rack, étendez le rail en position maximum jusqu'à son verrouillage puis faites glisser le composant dans le rack.
- Ne surchargez pas le circuit d'alimentation c.a. dérivé alimentant le rack en électricité. La charge totale du rack ne doit pas excéder 80 % de la puissance du circuit dérivé.
- Assurez-vous que l'air circule suffisamment entre les composants du rack.
- Ne montez jamais sur l'un des composants du système lors de l'entretien.

Instructions d'installation

Ce guide d'installation contient des instructions s'adressant à des techniciens de maintenance qualifiés et explique comment installer un ou plusieurs systèmes dans une armoire rack. Le kit de rack RapidRails™ peut être installé dans toutes les armoires rack Dell™ ; le kit de rack VersaRails™ peut être installé dans la plupart des armoires rack conformes aux normes de l'industrie. Les procédures d'installation des kits de rack RapidRails et VersaRails sont les mêmes. Un kit de rack est nécessaire pour chaque système devant être installé dans l'armoire rack.

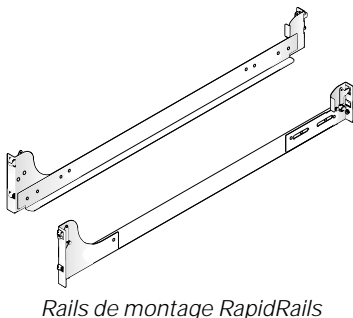
 **ATTENTION** : N'essayez pas d'installer de composants de kit de rack prévus pour un autre système. Utilisez uniquement le kit de rack de votre système. Si vous employez le kit d'un autre système, vous risquez d'endommager le système et d'exposer autrui et vous-même à des risques de blessures.

 **REMARQUE** : Si votre système est une configuration en tour, vous devez d'abord le convertir en rack, à l'aide d'un kit de conversion de tour en rack. Les instructions d'installation de ce type de kit sont fournies dans le présent document.

Contenu du kit du rack RapidRails

Le kit de rack RapidRails se compose d'une paire de rails de montage RapidRails (voir la Figure 2-1).

Figure 2-1. Contenu du kit du rack RapidRails



Caractéristiques techniques du rack Dell

- ➔ **MISE EN GARDE** : Ce kit de rack est destiné à être installé dans un rack Dell par des techniciens expérimentés. Si vous installez ce kit dans un autre type de rack, assurez-vous que ce rack répond aux spécifications des organismes suivants : American National Standards Institute (ANSI)/Electronic Industries Association (EIA) standard ANSI/EIA-310-D-92, International Electrotechnical Commission (IEC) 297, et Deutsche Industrie Norm (DIN) 41494. Un kit est nécessaire pour chaque système installé dans un rack.

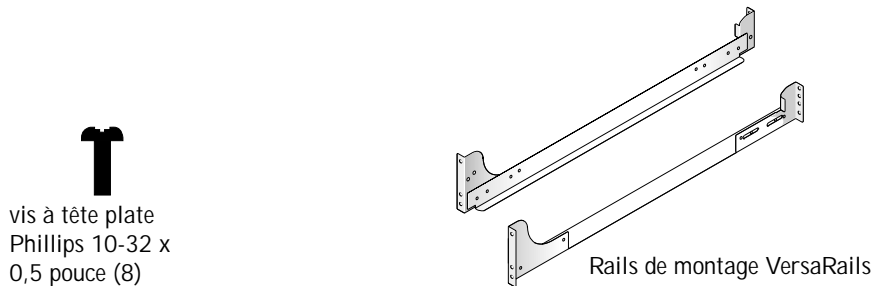
Contenu du kit du rack VersaRails

Le kit du rack VersaRails comprend les éléments suivants (voir Figure 2-2) :

- Une paire de rails de montage VersaRails
- Huit vis à tête Phillips 10-32 x 0,5 pouce

- ✍ **REMARQUE** : Les vis non métriques décrites dans les illustrations et dans les étapes des procédures sont identifiées par la taille et le nombre des filetages par pouce. Par exemple, une vis à tête Phillips n° 10 avec 32 filetages est désignée par l'appellation vis 10-32.

Figure 2-2. Contenu du kit du rack VersaRails



Caractéristiques techniques des racks d'autres marques que Dell

- ➔ **MISE EN GARDE** : Ce kit de rack est prévu pour être installé par des techniciens de maintenance qualifiés dans un rack conforme aux spécifications des organismes suivants : American National Standards Institute (ANSI)/Electronic Industries Association (EIA) standard ANSI/EIA-310-D-92, International Electrotechnical Commission (IEC) 297, et Deutsche Industrie Norm (DIN) 41494. Un kit de rack est nécessaire pour chaque système installé dans un rack.

Avant de commencer

Avant d'installer votre système dans le rack, lisez les “Instructions de sécurité” au début de ce document, ainsi que les instructions de sécurité de votre manuel *Informations système* qui vous fourniront des renseignements supplémentaires.


- ⚠ **ATTENTION** : Lorsque vous installez plusieurs systèmes dans un rack, exécutez toutes les procédures s'appliquant au système en cours avant d'essayer d'installer le système suivant.


Informations importantes sur la sécurité

Observez les précautions de sécurité décrites dans les sous-sections suivantes lors de l'installation de votre système dans le rack.

- ⚠ **ATTENTION** : Vous devez respecter à la lettre les procédures de ce document afin de garantir votre propre protection ainsi que celle d'autrui. Votre système peut être extrêmement lourd et volumineux. Une préparation et une planification adéquates sont donc importantes afin d'éviter tout risque de blessure pour vous-même ou autrui. Ces précautions sont d'autant plus importantes lorsque les systèmes sont installés très haut dans le rack.

Pieds stabilisateurs du rack

 **ATTENTION** : Si vous installez des systèmes dans un rack sans placer de pieds stabilisateurs avant et latéraux fixés au sol, le rack peut basculer et entraîne dans certaines situations un risque de blessures pouvant être mortelles. C'est pourquoi il faut toujours installer et fixer les pieds stabilisateurs avant d'installer les composants dans le rack.

 **ATTENTION** : Après avoir installé des systèmes dans un rack, ne retirez jamais plus d'un système à la fois hors du rack. Le poids représenté par plus d'un système lorsqu'il est extrait pourrait en effet provoquer le basculement du rack et blesser l'utilisateur.

Les pieds stabilisateurs empêchent le rack de basculer lorsque vous en extrayez un système ou un autre composant. Consultez la documentation fournie avec l'armoire rack pour savoir comment installer et fixer les pieds stabilisateurs.

Outils et fournitures recommandés


Procurez-vous les outils et éléments suivants qui vous faciliteront l'installation :

- Un tournevis Phillips n° 2 (pour installer un kit VersaRails)
- Un tournevis Torx T-10 (pour installer le kit de conversion de tour en rack)
- Clé mâle normale 3/16 pouces (pour installer le kit de conversion de tour en rack)

Tâches d'installation


L'installation d'un kit de rack comprend les opérations suivantes :

- 1 Retrait des portes du rack
- 2 Marquage du rack
- 3 Installation des rails de montage dans le rack
- 4 Installation du kit de conversion de tour en rack (si nécessaire)
- 5 Installation du système dans le rack
- 6 Remise en place des portes du rack


 **REMARQUE** : Les procédures suivantes s'appliquent à la fois aux armoires en rack Dell et à celles d'autres fabricants que Dell sauf indication contraire.

Retrait des portes du rack

Pour savoir comment retirer les portes du rack, reportez-vous à la documentation fournie avec les armoires en rack Dell 24U et 42U. Si vous possédez un rack Dell PowerEdge™ 4210, reportez-vous aux procédures contenues dans le *Guide d'installation du rack Dell PowerEdge 4210*. Si vous possédez un rack d'un autre fabricant que Dell, reportez-vous à la documentation du fabricant pour savoir comment retirer les portes.

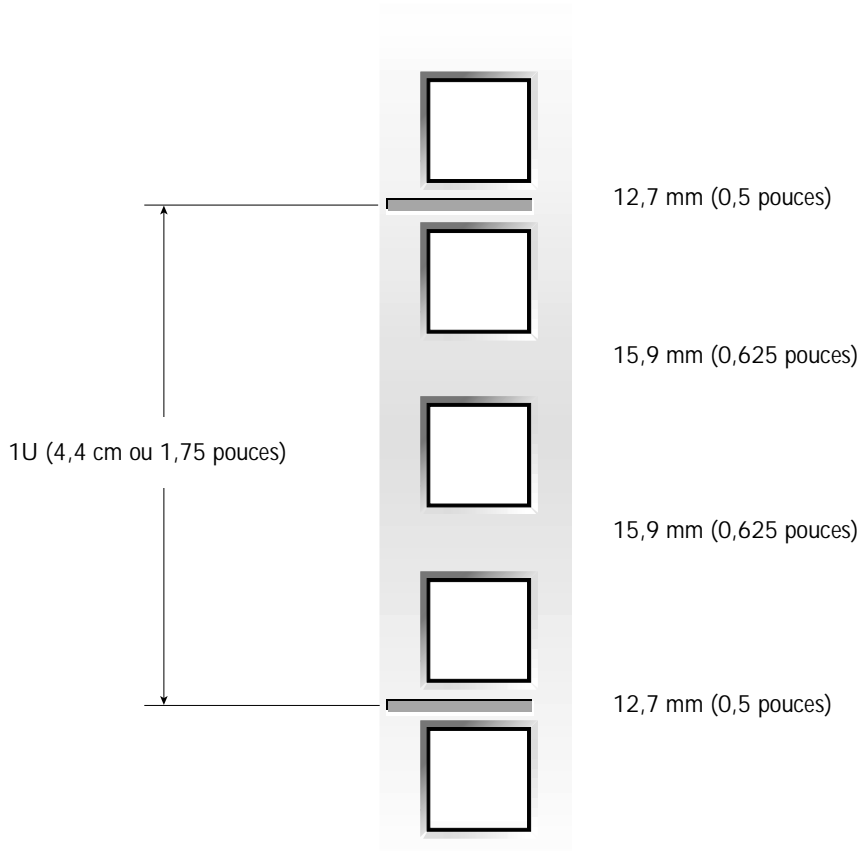
 **ATTENTION** : Compte tenu du poids et de la taille des portes de l'armoire rack, ne déposez ou n'installez jamais les portes seul.

Marquage du rack

 **REMARQUE** : Si vous installez un kit de rack VersaRails, passez directement à la procédure intitulée " Installation des rails de montage VersaRails."

Vous devez laisser un espace vertical de 3 U (5,25 pouces) pour chaque système installé dans le rack. Les armoires rack Dell et celles d'autres fabricants conformes aux normes EIA-310 alternent un groupe de trois trous par U (unité). Les espacements entre chacun des trois trous, mesurés du centre d'un trou jusqu'au centre du trou suivant (en commençant par le trou supérieur d'un espace de 1U) sont respectivement de 15,9 mm, 15,9 mm et 12,7 mm (0,625 pouces, 0,625 pouces et 0,5 pouces) pour les rails verticaux avant et arrière (voir la Figure 2-3).

Figure 2-3. Unité à un rack



Pour obtenir plus d'informations sur les règles à respecter pour installer des composants dans un rack, reportez-vous au logiciel Dell Rack Advisor disponible sur le site Web de Dell à l'adresse suivante : <http://support.dell.com>.

⚠ ATTENTION : Si vous installez plusieurs systèmes, installez les rails de montage de façon à ce que le premier système soit placé le plus bas possible dans le rack.

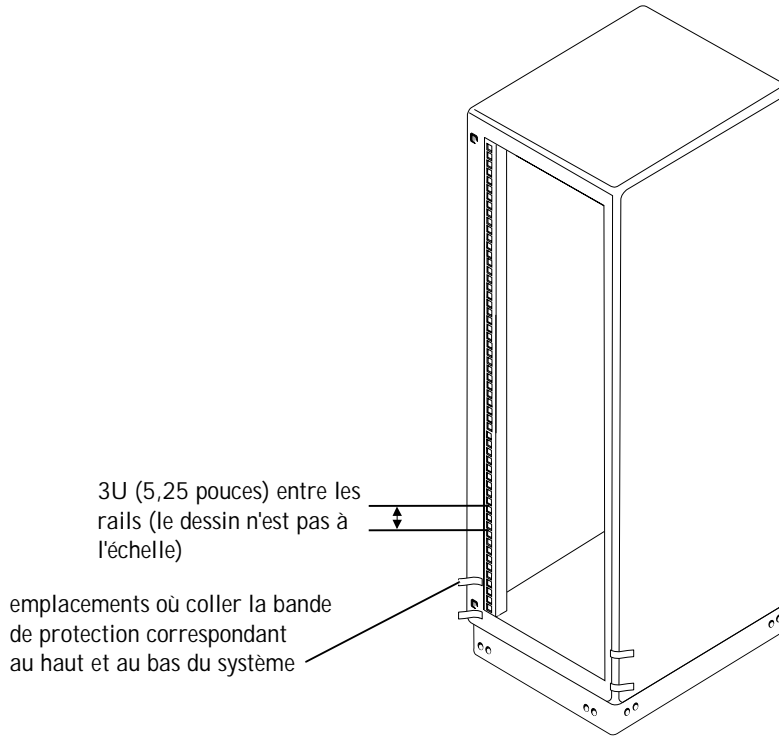
Pour marquer le rack, procédez comme suit :

- 1 Placez une marque sur les rails verticaux avant du rack, à l'endroit correspondant au bas du système à installer dans l'armoire rack.


Le bas de chaque espace 1U se trouve au milieu de l'espacement métallique le plus étroit entre les trous (repéré par une ligne horizontale sur certaines armoires rack — voir la Figure 2-3).

- 2 Placez une marque à 13,3 cm (5,25 pouces) au-dessus de la marque originale (ou comptez neuf trous vers le haut dans les racks conformes aux normes EIA-310), puis marquez les rails verticaux du rack avec un stylo feutre ou collez de la bande protectrice adhésive à l'endroit correspondant au rebord supérieur du système (voir la Figure 2-4).

Figure 2-4. Marquage des rails verticaux



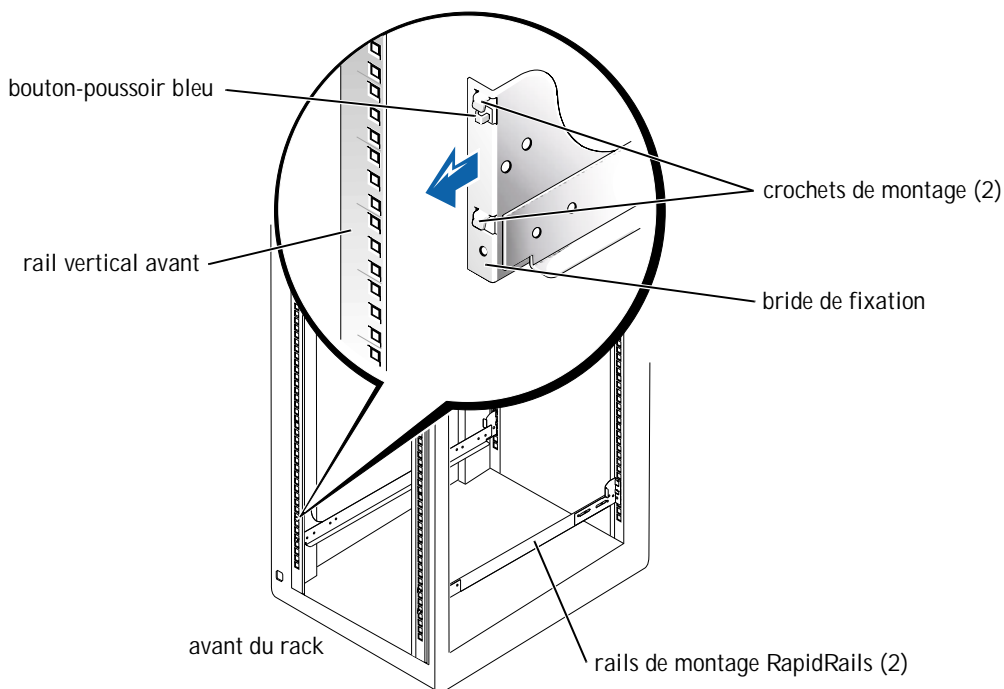
Installation des rails de montage RapidRails

 **REMARQUE** : Si vous installez les rails VersaRails, reportez-vous à la section " Installation des rails de montage VersaRails".

- 1 A l'avant de l'armoire rack, positionnez l'un des rails de montage de façon à ce que la bride de fixation soit située entre les marques (ou la bande adhésive) placées sur le rack (voir la Figure 2-5).

- 2 Alignez la bride de fixation du rail (à l'avant du rail) sur les trous carrés des rails verticaux avant (voir la Figure 2-5).
- 3 Poussez le rail vers l'avant jusqu'à ce que les crochets de fixation soient positionnés dans leur trous carrés sur le rail vertical, puis exercez une pression vers le bas sur la bride de fixation jusqu'à ce que les crochets de fixation s'enclenchent dans les trous carrés et que le bouton-poussoir bleu ressorte et émette un déclic.

Figure 2-5. Installation des rails de montage RapidRails



- 4 A l'arrière de l'armoire, tirez la bride de fixation vers l'arrière jusqu'à ce que les crochets de fixation soient positionnés dans leur trous carrés sur le rail vertical, puis exercez une pression vers le bas sur la bride de fixation jusqu'à ce que les crochets de fixation s'enclenchent dans les trous carrés et que le bouton-poussoir bleu ressorte et émette un déclic.
- 5 Répétez les opérations des étapes 1 à 4 pour le rail restant de l'autre côté du rack.
- 6 Vérifiez que les rails sont montés à la même position sur les rails verticaux de chaque côté du rack.

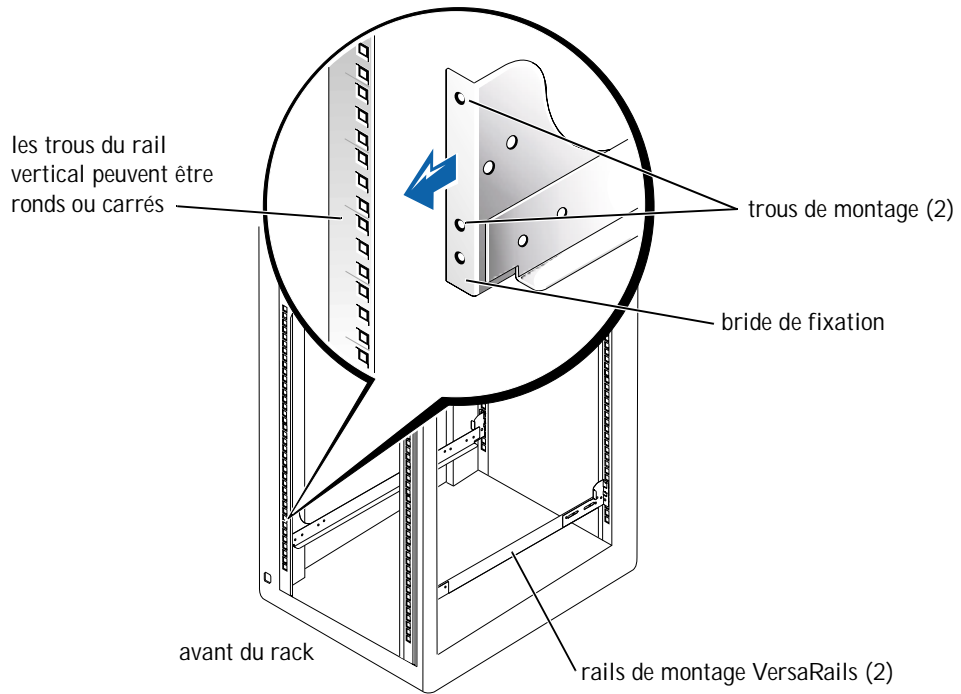
Installation des rails de montage VersaRails

REMARQUE : Si vous avez déjà installé les rails de montage RapidRails, sautez cette section.

- 1 A l'avant de l'armoire rack, positionnez l'un des rails de montage de façon à ce que la bride de fixation soit située à l'emplacement choisi dans le rack (voir la Figure 2-6).

Les trous du rail vertical du rack peuvent être percés de trous ronds ou carrés.


Figure 2-6. Installation des rails de montage VersaRails




- 2 Poussez le rail de montage vers l'avant jusqu'à ce que les trous de montage soient alignés sur les trous du rail vertical avant.
- 3 A l'aide de deux vis Phillips 10-32 x 0,5, vissez la bride de fixation avant sur le rail vertical.
- 4 A l'arrière de l'armoire, tirez sur la bride de fixation jusqu'à ce qu'elle soit alignée sur les trous du rail vertical arrière.

- 5 A l'aide de deux vis Phillips 10-32 x 0,5, vissez la bride de fixation arrière sur le rail vertical arrière.
- 6 Répétez les opérations des étapes 1 à 5 pour le rail de montage restant de l'autre côté du rack.
- 7 Vérifiez que les rails de montage sont montés à la même position sur les rails verticaux de chaque côté du rack.

Installation du kit de conversion de tour en rack

 **REMARQUE** : Si vous avez seulement une version en rack du système, sautez cette procédure et passez directement à la section " Installation du système dans le rack" .

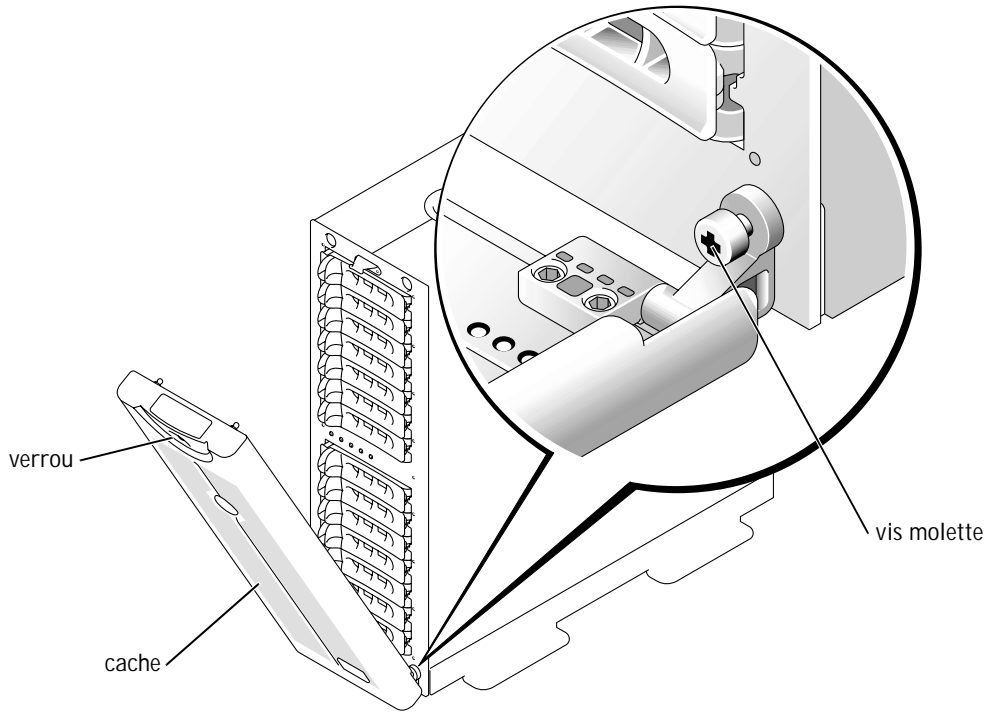
 **ATTENTION** : Votre système peut être extrêmement lourd et volumineux. Pour éviter toute blessure, ne tentez pas de le déplacer seul.

Le kit de conversion de tour en rack comporte un panneau de rack avant avec des poignées de rack et des vis à molette.

Retrait du cache, des disques, des capots et du panneau avant

- 1 Arrêtez le système et mettez-le hors tension, puis débranchez le cordon d'alimentation et les câbles de périphériques.
- 2 Pour retirer le cache (voir la Figure 2-7) :
 - a Déverrouillez le cache avant à l'aide de la clé du système.
 - b Dégagez le cache en l'écartant et en l'abaissant jusqu'à ce qu'il soit perpendiculaire au système.
 - c Desserrez les deux vis à molette fixant la charnière du cache au panneau avant (voir la Figure 2-7).
 - d Retirez le cache et mettez-le de côté.

Figure 2-7. Retrait du cache avant



3 Étiquetez tous les disques durs et retirez-les du système.



REMARQUE : Bien que cela ne soit pas indispensable pour effectuer la conversion, vous pouvez retirer les deux modules d'alimentation et de ventilation à l'arrière du châssis du système afin de réduire le poids du châssis pendant l'exécution de la procédure (pour savoir comment retirer et remplacer ces modules, consultez les instructions du *Guide d'installation et de dépannage* du système).

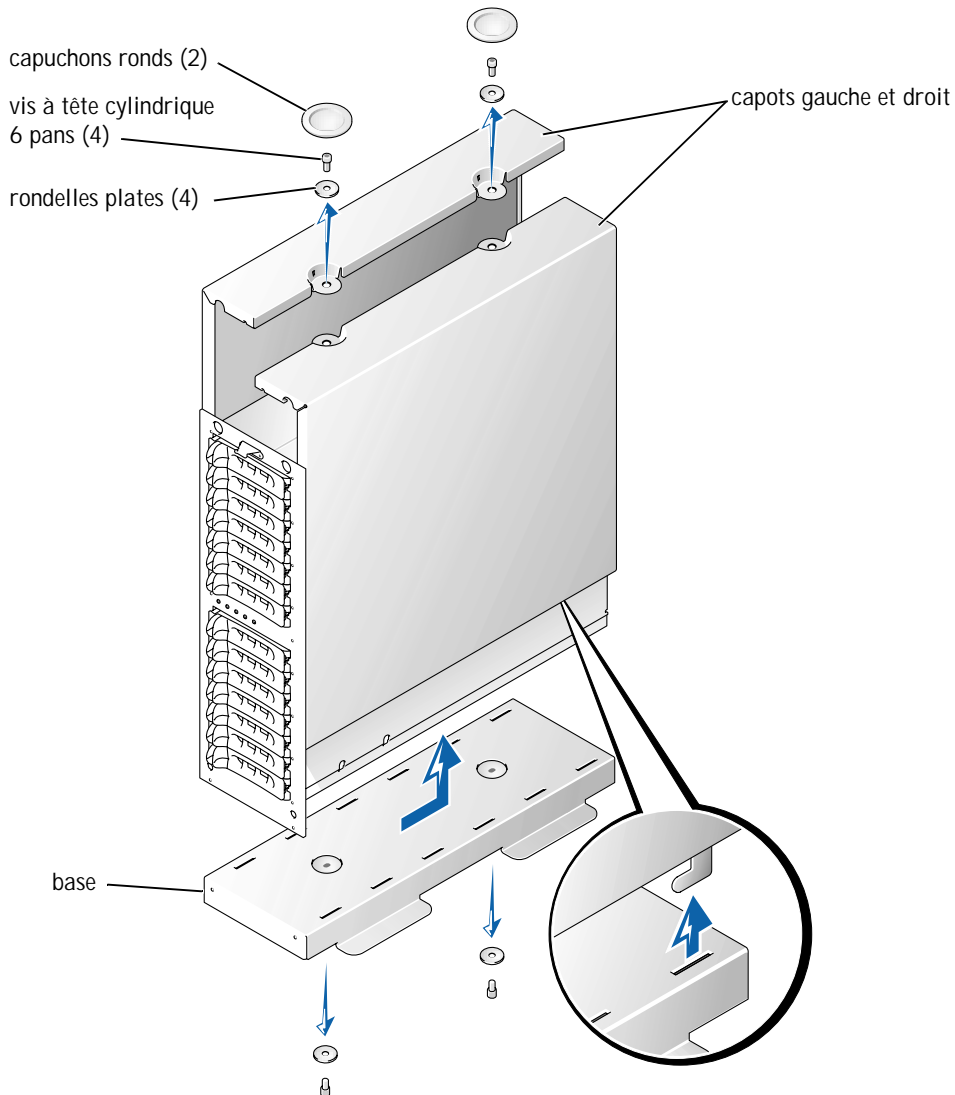
4 Pour retirer les capots gauche et droit du système (voir la Figure 2-8) :

- a Retirez les deux capuchons ronds sur le haut du système en tour.
- b A l'aide d'une clé mâle 3/16 (Allen), retirez les vis à tête cylindrique à 6 pans et les rondelles plates du haut du système en tour.
- c Faites coulisser le capot gauche et droit vers l'arrière, en les écartant de l'avant du châssis pour les dégager, puis tirez-les vers le haut, en les écartant de la base, pour les retirer.

5 Pour retirer la base du système en tour :

- a Couchez le système sur son côté droit.
- b A l'aide d'une clé mâle 3/16 (Allen), retirez les deux vis à tête cylindrique à 6 pans et les rondelles plates de la base du système en tour.
- c Retirez la base et mettez-la de côté (voir la Figure 2-8).

Figure 2-8. Retrait du capot du système en tour



- 6 Pour retirer le panneau avant du système en tour (voir la Figure 2-9):
 - a Positionnez le système de façon à ce que le panneau avant dépasse d'environ 2,5 centimètres (1 pouce) du rebord de la table ou de la surface de travail.
 - b Retirez les vis noires T-10 Torx 14 4-40 x 0,25 pouces à tête plate qui fixent le panneau avant de la tour sur le châssis.
 - c Retirez le panneau avant du châssis du système, en veillant à éviter d'endommager les cinq témoins lumineux en plastique qui passent par le panneau avant.

Installation du panneau avant du rack



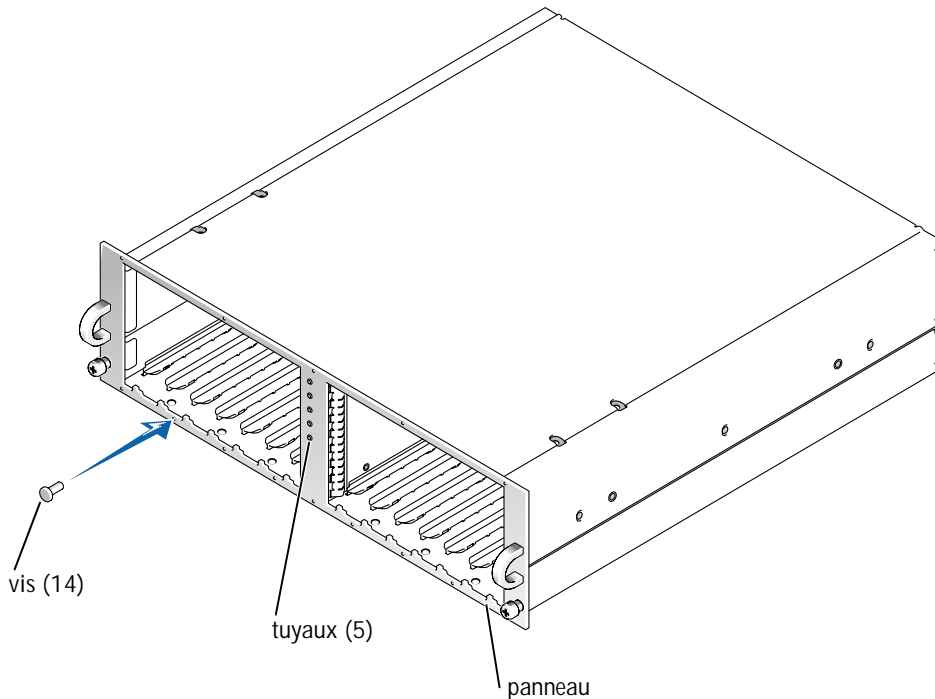
- 1 Positionnez le panneau avant du rack sur l'avant du châssis du système, en veillant à engager les cinq témoins lumineux dans leurs orifices correspondant dans le panneau avant.
 -  REMARQUE : Ensuite, introduisez les 14 vis T-10 Torx dans leurs trous avant de les visser, afin d'être certain qu'elles sont correctement alignées.
- 2 Vissez le panneau avant du rack sur le châssis à l'aide des 14 vis T-10 Torx que vous avez retirées à l'étape 6 de la dernière procédure, "Retrait du cache, des disques, des capots et du panneau avant" (voir la Figure 2-9).
- 3 Réinstallez les modules d'alimentation et de ventilation si vous les aviez retirés.
 -  REMARQUE : N'installez pas les disques durs avant d'avoir terminé la procédure suivante, " Installation du système dans le rack".

Figure 2-9. Installation du panneau avant du rack



Installation du système dans le rack

⚠ ATTENTION : Si vous installez plusieurs systèmes, installez le système le plus lourd à l'emplacement le plus bas possible dans le rack.

⚠ ATTENTION : *Ne retirez jamais* plus d'un composant du rack en même temps.

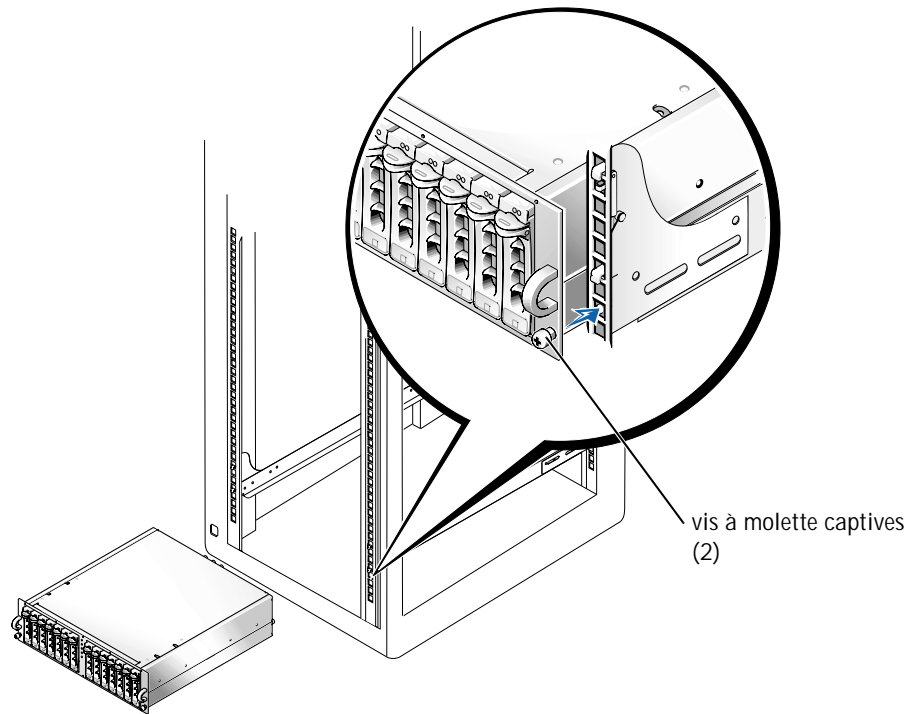
1 Soulevez le système et positionnez-le en face des rails de montage que vous avez installés dans l'armoire rack.

⚠ ATTENTION : En raison de la taille et du poids du système, ne tentez jamais de l'installer seul dans les rails.

2 Faites coulisser le système dans le rack jusqu'à ce que le panneau avant du système soit placé contre les rails verticaux (voir la Figure 2-10).

3 Resserrez les vis à molette captives de chaque côté du panneau avant du système.

Figure 2-10. Installation du système dans le rack



Remise en place des portes du rack

Pour savoir comment remettre en place les portes du rack, reportez-vous à la documentation fournie avec les armoires en rack Dell 24U et 42U. Si vous possédez un rack Dell PowerEdge 4210, reportez-vous aux procédures du *Guide d'installation du rack Dell PowerEdge 4210*. Si vous possédez un rack d'un autre fabricant que Dell, reportez-vous à la documentation du fabricant pour savoir comment remettre en place les portes.

L'installation de votre système dans le rack est terminée.

Index

C

caractéristiques techniques

rack Dell, 2-3

racks d'autres marques que
Dell, 2-4

Caractéristiques techniques du rack Dell, 2-3

contenu du kit

illustration, 2-3, 2-4

Kit RapidRails, 2-3

Kit VersaRails, 2-3

liste, 2-3

contenu du kit de rack, 2-3

illustration, 2-3, 2-4

installation, 2-5

liste, 2-3

I

Informations sur la sécurité, 2-4

installation

kit de conversion de tour en
rack, 2-11

opérations, 2-5

panneau avant du rack, 2-14

Rails de montage

RapidRails, 2-8, 2-9

Rails de montage

VersaRails, 2-10

système dans le rack, 2-15,
2-16

K

kit de conversion de tour en rack

installation, 2-11

M

marquage du rack, 2-6

O

Outils

recommandés, 2-5

P

portes

réinstallation, 2-16

retrait, 2-6

R

rack

marquage, 2-6

pieds stabilisateurs, 2-5

racks d'autres marques que
Dell

caractéristiques
techniques, 2-4

Rails de montage RapidRails
installation, 2-9

rails verticaux

marquage, 2-8

unité à un rack, 2-7

RapidRails

contenu du kit, 2-3

S

Site Web Dell, 2-7

système

installation dans le rack, 2-15,
2-16

U

unité de rack, 2-7

V

VersaRails

caractéristiques techniques des
racks d'autres marques que
Dell, 2-4





contenu du kit, 2-3

Dell™-Systeme

Rack-Installationsanleitung



Anmerkungen, Hinweise, Vorsichtshinweise und Warnungen

-  **HINWEIS:** Ein HINWEIS enthält wichtige Informationen, mit deren Hilfe Sie Ihren Computer besser nutzen können.
-  **BITTE BEACHTEN:** BITTE BEACHTEN weist auf eine mögliche Beschädigung von Hardware oder den Verlust von Daten hin und beschreibt, wie dieses Problem vermieden werden kann.
-  **VORSICHT:** Die Angabe VORSICHT warnt vor einer möglicherweise gefährlichen Situation, die bei Nichtbeachten zu leichten oder mittelschweren Schäden führen kann.
-  **WARNUNG:** Eine WARNUNG warnt vor einer möglicherweise gefährlichen Situation, die bei Nichtbeachten zu schweren Verletzungen führen kann.

Die in diesem Dokument enthaltenen Informationen können ohne Vorankündigung geändert werden.
© 2001 Dell Computer Corporation. Alle Rechte vorbehalten.

Eine Reproduktion dieses Dokuments in jeglicher Form ist nur mit vorheriger schriftlicher Genehmigung der Dell Computer Corporation erlaubt.

Die in diesem Text verwendeten Warenzeichen: *Dell*, das *DELL*-Logo, *PowerEdge*, *RapidRails* und *VersaRails* sind Warenzeichen der Dell Computer Corporation.

Andere in diesem Dokument möglicherweise verwendete Warenzeichen und Handelsbezeichnungen sind unter Umständen Marken und Namen der entsprechenden Firmen oder ihrer Produkte. Die Dell Computer Corporation erhebt keinen Anspruch auf Warenzeichen oder Handelsnamen mit Ausnahme ihrer eigenen.

Inhalt

Sicherheitshinweise	3-1
Installationsanleitung	3-2
Inhalt des RapidRails-Rack-Kits	3-3
Dell-Rack-Anforderungen	3-3
Inhalt des VersaRails-Rack-Kits	3-3
Rack-Anforderungen anderer Anbieter	3-4
Bevor Sie beginnen	3-4
Wichtige Sicherheitsinformationen	3-4
Rack-Stabilisatoren	3-5
Empfohlene Werkzeuge und Zubehör	3-5
Installationsarbeiten	3-5
Abnehmen der Rack-Türen	3-6
Markieren des Racks	3-6
Installieren der RapidRails-Montageschienen	3-9
Installieren der VersaRails-Montageschienen	3-10
Installieren des Tower-nach-Rack-Konvertier-Kits	3-11
Entfernen der Blende, Laufwerke, Abdeckung und Frontplatte	3-11
Installieren der Frontplatte des Racks	3-14
Installieren des Systems im Rack	3-15
Einsetzen der Rack-Türen	3-16

Index

Abbildungen

Abbildung 3-1.	Inhalt des RapidRails-Rack-Kits	3-3
Abbildung 3-2.	Inhalt des VersaRails-Rack-Kits	3-4
Abbildung 3-3.	Eine Rack-Einheit	3-7
Abbildung 3-4.	Markieren der vertikalen Schienen	3-8
Abbildung 3-5.	Installieren der RapidRails-Montageschienen	3-9
Abbildung 3-6.	Installieren der VersaRails-Montageschienen . . .	3-10
Abbildung 3-7.	Entfernen der Frontblende	3-12
Abbildung 3-8.	Entfernen der Tower-Systemabdeckung	3-13
Abbildung 3-9.	Installieren der Rack-Frontplatte	3-15
Abbildung 3-10.	Installieren des Systems im Rack	3-16


Sicherheitshinweise

Beachten Sie die nachfolgenden Sicherheitshinweise, um Ihre eigene Sicherheit zu gewährleisten und Schäden an Ihrem Server, Ihrem Speichersystem oder an Ihren Geräten zu vermeiden. Vollständige Informationen über die Sicherheitsanforderungen, Vorschriften und Garantiebedingungen finden Sie in dem zu Ihrem Dell™-System gehörenden Dokument *System informationen*.


Vorsichtsmaßnahmen für rack-montierbare Produkte

Um die Stabilität und Sicherheit des Racks zu gewährleisten, befolgen Sie bitte die folgenden Vorsichtsmaßnahmen. Spezielle Warnungen und/oder Sicherheitshinweise und Prozeduren finden Sie auch in der zum System gehörenden Dokumentation zur Rack-Installation.

Server, Speichersysteme und Geräte werden als Komponenten in einem Rack betrachtet. Der Begriff „Komponente“ bezieht sich also auf einen beliebigen Server, ein Speichersystem oder ein Gerät, sowie auf verschiedene Peripheriegeräte oder Zusatzhardware.

 **VORSICHT:** Werden Systemkomponenten in einem Rack installiert, an dem die vorderen und seitlichen Stabilisatoren fehlen, kann das Rack umkippen, was unter bestimmten Bedingungen zu Verletzungen oder sogar tödlichen Verletzungen führen kann. Installieren Sie daher immer erst die Stabilisatoren, bevor Sie Komponenten in dem Rack installieren.

 **VORSICHT:** Ziehen Sie nach der Installation von Systemen/Komponenten in einem Rack niemals mehr als eine Komponente gleichzeitig auf ihren Gleitschienen aus dem Rack. Durch das Gewicht von mehr als einer Komponente kann das Rack umkippen und Verletzungen hervorrufen.

 **HINWEIS:** Ihr Dell-System ist als frei stehende Einheit und für die Verwendung als Komponente in Dell-Gestellschränken sicherheitszertifiziert, wobei das Dell Customer Rack-Kit eingesetzt werden muss. Die Installation Ihres Systems und Rack-Kits in Gestellschränken anderer Hersteller wurde von keiner Prüfbehörde untersucht. Es liegt in Ihrer Verantwortung, die Eignung der endgültigen Kombination von Dell-Systemen und Rack-Kits für den Einsatz in Gestellschränken anderer Hersteller durch eine zertifizierte Prüfbehörde untersuchen zu lassen. Dell lehnt jede Haftung und Gewährleistung für solche Kombinationen ab.

- **System-Rack-Kits müssen von geschulten Servicetechnikern in einem Dell-Rack installiert werden. Wenn Sie das Kit in einem anderen Rack installieren, vergewissern Sie sich, dass das Rack die Spezifikationen eines Dell-Racks erfüllt.**
- **Bewegen Sie große Racks nicht ohne fremde Hilfe. Wegen der Höhe und des Gewichtes des Racks sollte diese Aufgabe von mindestens zwei Personen gemeinsam durchgeführt werden.**


- Bevor Sie an einem Rack arbeiten, vergewissern Sie sich, dass die Stabilisatoren sicher an dem Rack befestigt sind und bis auf den Boden reichen und dass das gesamte Gewicht des Racks auf dem Boden lastet. Installieren Sie an einem einzelnen Rack vordere und seitliche Stabilisatoren bzw. an mehreren miteinander verbundenen Racks vordere Stabilisatoren, bevor Sie an dem Rack arbeiten.
- Belasten Sie das Rack immer von unten nach oben und bauen Sie die schwerste Komponente zuerst in dem Rack ein.
- Vergewissern Sie sich, dass das Rack eben und stabil steht, bevor Sie eine Komponente aus dem Rack ziehen.
- Seien Sie vorsichtig, wenn Sie auf die Verriegelung der Komponentenschiene drücken und eine Komponente in das Rack schieben bzw. aus dem Rack ziehen, da Sie sich in den Gleitschienen die Finger klemmen können.
- Nachdem eine Komponente in das Rack eingesetzt wurde, ziehen Sie die Schienen vorsichtig bis in die Verriegelungsposition und schieben Sie dann die Komponente in das Rack.
- Überlasten Sie nicht den Wechselstromkreis, über den das Rack mit Strom versorgt wird. Die Gesamtlast des Racks sollte 80 Prozent der Nennbelastbarkeit des Stromkreises nicht überschreiten.
- Stellen Sie sicher, dass eine ausreichende Luftzufuhr zu den Komponenten in dem Rack gewährleistet ist.
- Treten Sie nicht auf ein System oder eine Komponente und stellen Sie sich nicht darauf, wenn Sie an anderen Systemen oder Komponenten in einem Rack Arbeiten durchführen.

Installationsanleitung

Diese Installationsanleitung enthält Anweisungen zur Installation eines oder mehrerer Systeme in einem Gestellschrank durch geschulte Servicetechniker. Das RapidRails™ Rack-Kit kann in allen Dell™-Gestellschränken installiert werden und das VersaRails™ Rack-Kit in den meisten Standardgestellschränken. Die Installation der beiden Rack-Kits erfolgt in ähnlicher Weise. Für jedes im Gestellschrank zu installierende System wird ein Rack-Kit benötigt.



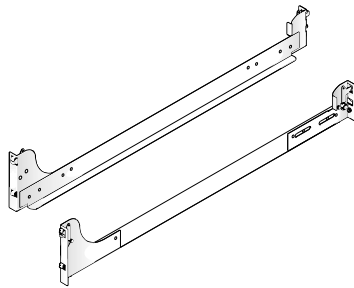
VORSICHT: Versuchen Sie nicht, Rack-Kit-Komponenten einzubauen, die für ein anderes System vorgesehen sind. Verwenden Sie ausschließlich das für Ihr System konzipierte Rack-Kit. Wenn Sie das Rack-Kit für ein anderes System verwenden, kann das System beschädigt werden und Sie selbst oder andere Personen könnten sich verletzen.

 **HINWEIS:** Handelt es sich bei Ihrem System um eine Tower-Version, müssen Sie das System zuerst mithilfe eines Tower-nach-Rack-Konvertier-Kits in eine Rack-Version konvertieren. Anleitungen zur Installation dieses Kits finden Sie in diesem Dokument.

Inhalt des RapidRails-Rack-Kits


Das RapidRails-Rack-Kit enthält ein Paar RapidRails-Montageschienen (siehe Abbildung 3-1).

Abbildung 3-1. Inhalt des RapidRails-Rack-Kits



RapidRails-Montageschienen

Dell-Rack-Anforderungen

 **BITTE BEACHTEN:** Dieses Rack-Kit muss von geschulten Servicetechnikern in einem Dell-Rack installiert werden. Wenn Sie das Kit in einem anderen Rack installieren, vergewissern Sie sich, dass das Rack die Spezifikationen des American National Standards Institute (ANSI)/Electronic Industries Association (EIA) Standard ANSI/EIA-310-D-92, der International Electrotechnical Commission (IEC) 297 und die Deutsche Industrie Norm (DIN) 41494 einhält. Für jedes System, das in einem Rack installiert wird, wird ein Rack-Kit benötigt.

Inhalt des VersaRails-Rack-Kits

Das VersaRails-Rack-Kit enthält die folgenden Teile (siehe Abbildung 3-2):

- Ein Paar VersaRails-Montageschienen
- Acht 10-32 x 0,5 Zoll Kreuzschlitzschrauben


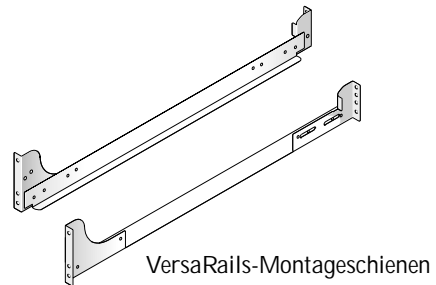
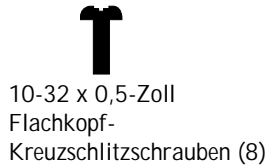
 **HINWEIS:** Die in den Abbildungen und Prozeduren genannten nichtmetrischen Schrauben werden anhand ihrer Größe und der Anzahl der Windungen pro Zoll bezeichnet. Beispielsweise wird eine Kreuzschlitzschraube Nr. 10 mit 32 Windungen pro Zoll als 10-32-Schraube bezeichnet.

Abbildung 3-2. Inhalt des VersaRails-Rack-Kits



Rack-Anforderungen anderer Anbieter

- ➔ **BITTE BEACHTEN:** Dieses Rack-Kit muss von geschulten Servicetechnikern in einem Rack installiert werden, das die Spezifikationen des American National Standards Institute (ANSI)/Electronic Industries Association (EIA) Standard ANSI/EIA-310-D-92, der International Electrotechnical Commission (IEC) 297 und die Deutsche Industrie Norm (DIN) 41494 einhält. Für jedes System, das in einem Rack installiert wird, wird ein Rack-Kit benötigt.

Bevor Sie beginnen

Vor der Installation Ihres Systems in dem Rack müssen Sie die „Sicherheitshinweise“ am Anfang dieses Dokumentes sowie die Sicherheitshinweise in der Broschüre *System information* lesen.


- ⚠ **VORSICHT:** Wenn Sie mehrere Systeme in einem Rack installieren, beenden Sie alle Prozeduren für das gerade installierte System, bevor Sie das nächste System installieren.


Wichtige Sicherheitsinformationen

Beachten Sie die Sicherheitsmaßnahmen in den folgenden Unterabschnitten, wenn Sie Ihr System in dem Rack installieren.

- ⚠ **VORSICHT:** Die in diesem Dokument angegebenen Prozeduren müssen exakt befolgt werden, damit Sie selbst und andere Beteiligte nicht gefährdet werden. Ihr System kann sehr groß und schwer sein; Sie sollten die Installation gründlich vorbereiten und planen, um jegliche Verletzungen zu vermeiden. Dies gilt besonders, wenn Systeme oben im Rack installiert werden.

Rack-Stabilisatoren

 **VORSICHT:** Werden Systeme in einem Rack installiert, dessen vordere und seitliche Stabilisatoren nicht montiert und am Boden befestigt wurden, kann das Rack umkippen. Dies kann unter bestimmten Bedingungen zu Verletzungen oder sogar tödlichen Verletzungen führen. Installieren und befestigen Sie daher immer erst die Stabilisatoren, bevor Sie Komponenten in dem Rack installieren.

 **VORSICHT:** Nach der Installation von Systemen in einem Rack sollten Sie niemals mehr als ein System gleichzeitig aus dem Rack ziehen. Durch das Gewicht von mehr als einem herausgezogenen System kann das Rack umkippen und Verletzungen verursachen.

Die Stabilisatoren verhindern, dass das Rack umkippt, wenn ein System oder eine andere Komponente aus dem Rack herausgezogen wird. Anleitungen zur Installation und Befestigung der Stabilisatoren finden Sie in der mit dem Gestellschrank gelieferten Dokumentation.

Empfohlene Werkzeuge und Zubehör


Die folgenden Hilfsmittel erleichtern die Installation:

- Kreuzschlitz-Schraubendreher Nr. 2 (bei der Installation eines VersaRails-Kits)
- Torx T-10-Schraubendreher (bei der Installation des Tower-nach-Rack-Kits)
- 3/16-Zoll Sechskantschlüssel (bei der Installation des Tower-nach-Rack-Kits)

Installationsarbeiten

Bei der Installation eines Rack-Kits müssen die folgenden Aufgaben ausgeführt werden:

- 1 Abnehmen der Rack-Türen
- 2 Markieren des Racks
- 3 Installieren der Montageschienen in das Rack
- 4 Installieren des Tower-nach-Rack-Konvertier-Kits (falls erforderlich)
- 5 Installieren des Systems im Rack
- 6 Einsetzen der Rack-Türen

 **HINWEIS:** Die im Folgenden beschriebenen Verfahren gelten für Dell-Gestellschränke und für Gestellschränke anderer Anbieter gleichermaßen, sofern nicht anders angegeben.

Abnehmen der Rack-Türen

Weitere Informationen zum Abnehmen der Türen finden Sie in der den Dell 24-U- und 42-U-Gestellschränken beiliegenden Dokumentation. Wenn Sie einen Gestellschrank des Typs Dell PowerEdge™ 4210 haben, lesen Sie die Prozeduren in *Installationshinweise für das PowerEdge 4210 Rack*. Wenn Ihr Gestellschrank kein Dell-Produkt ist, lesen Sie die Anleitungen des Herstellers zum Abnehmen der Türen.



VORSICHT: Wegen der Größe und des Gewichts der Gestellschranktüren sollten Sie keinesfalls versuchen, sie ohne fremde Hilfe abzunehmen oder einzubauen.

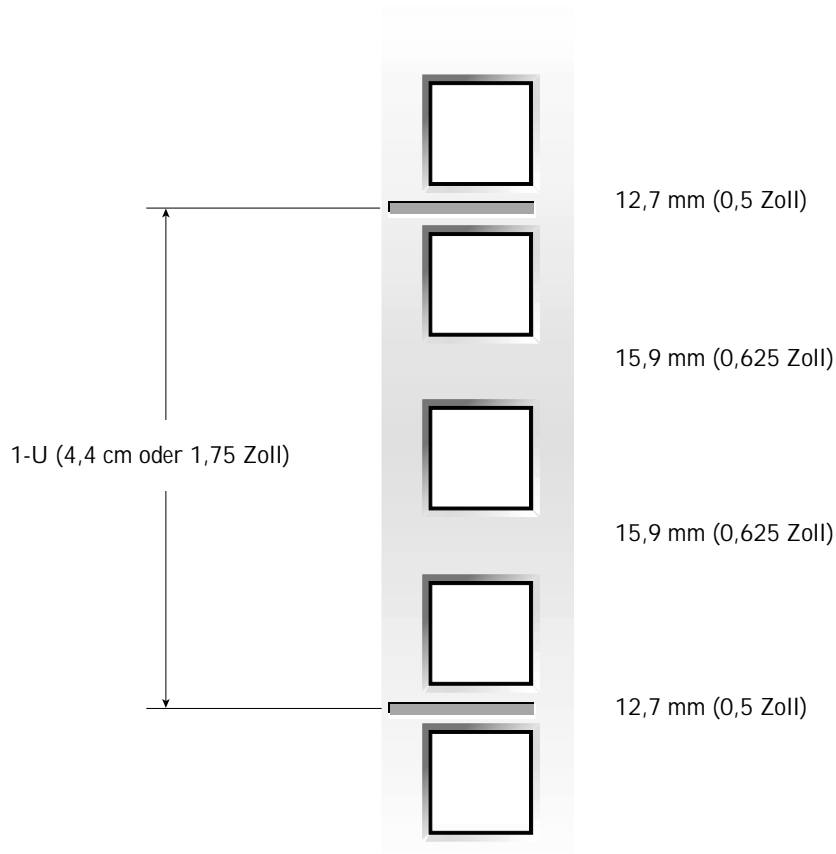
Markieren des Racks



HINWEIS: Wenn Sie ein VersaRails-Rack-Kit installieren, lesen Sie bei der Prozedur „Installieren der VersaRails-Montageschienen“ weiter.

Sie müssen zwischen den einzelnen Systemen, die Sie in dem Rack installieren, einen vertikalen Abstand von 3-U (5,25 Zoll) einhalten. Dell-Gestellschränke und Gestellschränke anderer Anbieter, die den EIA-310-Standards entsprechen, haben ein sich wiederholendes Muster aus drei Löchern pro U-Einheit, deren Mittenabstand zueinander (beginnend in der Mitte des oberen Lochs einer 1-U-Einheit) 15,9 mm, 15,9 mm und 12,7 mm (0,625 Zoll, 0,625 Zoll und 0,5 Zoll) für die vorderen und hinteren vertikalen Schienen beträgt (siehe Abbildung 3-3).

Abbildung 3-3. Eine Rack-Einheit



Weitere Informationen über die Anforderungen zur Installation von Komponenten in einem Dell-Rack finden Sie in der Software Dell Rack Advisor auf der Dell-Website unter <http://support.dell.com>.

! VORSICHT: Wenn Sie mehr als ein System installieren, installieren Sie die Montageschienen so, dass das erste System möglichst weit unten im Rack eingebaut wird.

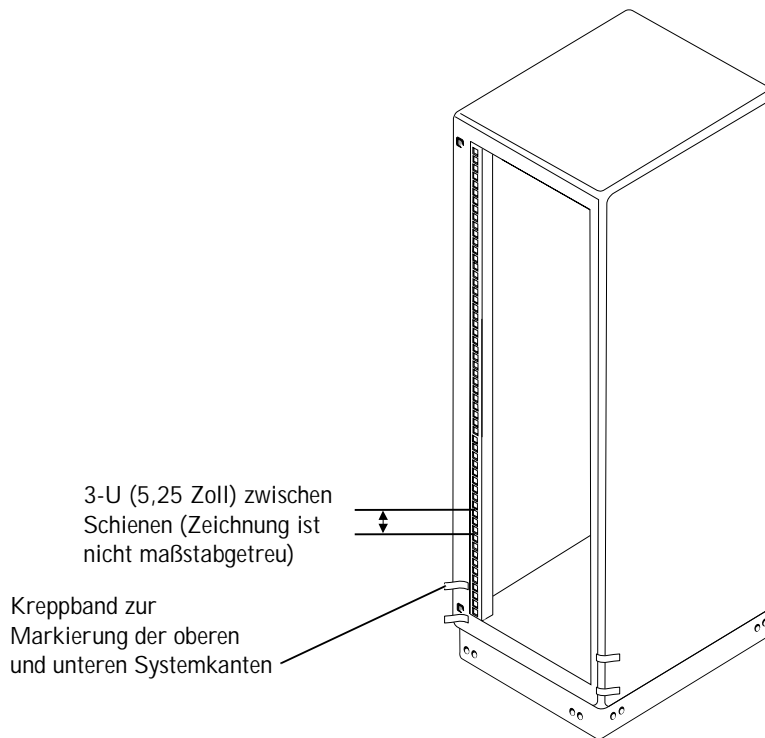
Um das Rack markieren, gehen Sie wie folgt vor:

- 1 Bringen Sie auf den vorderen vertikalen Schienen des Racks eine Markierung an der Stelle an, an der sich die Unterseite des Systems befinden soll, das Sie in den Gestellschrank einbauen.


Die Unterkante jeder 1-U-Einheit befindet sich in der Mitte des schmalsten Metallzwischenraums zwischen den Löchern (auf einigen Gestellschränken mit einer horizontalen Linie gekennzeichnet – siehe Abbildung 3-3).

- 2 Bringen Sie 13,3 cm (5,25 Zoll) über der Originalmarkierung eine Markierung an (oder zählen Sie in einem Rack, das den EIA-310-Standards entspricht, von unten nach oben neun Löcher ab); markieren Sie dann die Stelle, an der sich die obere Kante des Systems befinden wird, mit einem Filzstift bzw. mit einem Stück Kreppband (siehe Abbildung 3-4).

Abbildung 3-4. Markieren der vertikalen Schienen

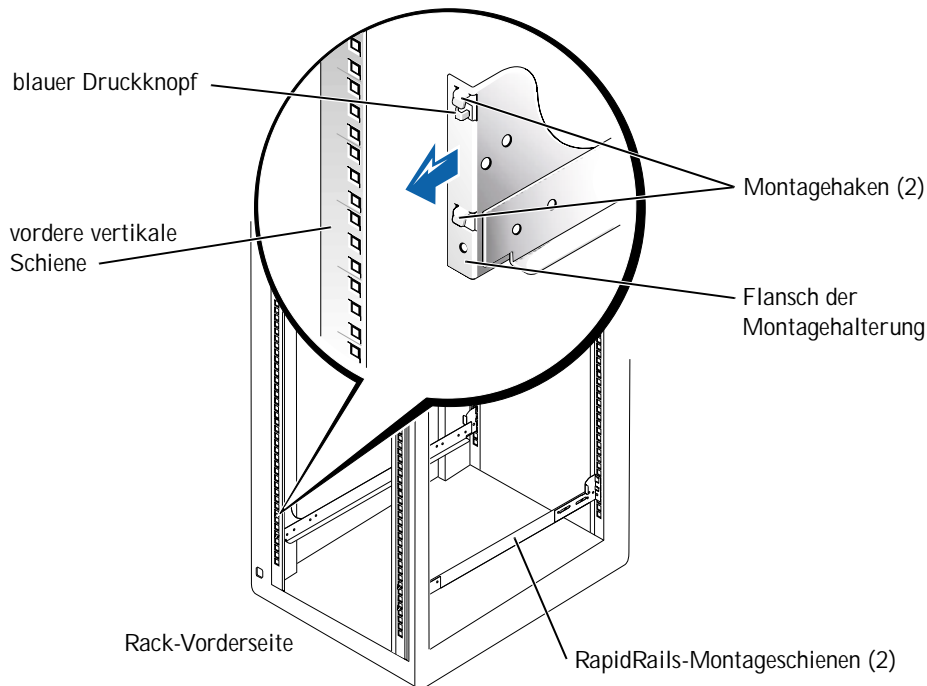


Installieren der RapidRails-Montageschienen

 **HINWEIS:** Wenn Sie VersaRails-Schienen installieren, lesen Sie „Installieren der VersaRails-Montageschienen“.


- 1 Positionieren Sie an der Vorderseite des Gestellschranks eine der Montageschienen so, dass der zugehörige Montagehalterungsflansch zwischen die Markierungen oder das Kreppband an dem Rack passt (siehe Abbildung 3-5).
- 2 Richten Sie den Montagehalterungsflansch der Schienen (auf der Vorderseite der Schiene) mit den rechteckigen Löchern in den vorderen vertikalen Schienen aus (siehe Abbildung 3-5).
- 3 Drücken Sie die Schiene nach vorn, bis die Montagehaken in ihren rechteckigen Löchern auf der vertikalen Schiene positioniert sind. Drücken Sie dann den Montagehalterungsflansch nach unten, bis die Montagehaken in die rechteckigen Löcher eingerastet sind, der blaue Druckknopf herauspringt und ein Klicken zu hören ist.

Abbildung 3-5. Installieren der RapidRails-Montageschienen



- 4 Ziehen Sie an der Rückseite des Gestellschranks den Flansch der Montagehalterung nach hinten, bis die Montagehaken in ihren rechteckigen Löchern auf der vertikalen Schiene positioniert sind. Drücken Sie dann den Montagehalterungsflansch nach unten, bis die Montagehaken in die rechteckigen Löcher eingerastet sind, der blaue Druckknopf herauspringt und ein Klicken zu hören ist.
- 5 Wiederholen Sie die Schritte 1 bis 4 für die andere Schiene auf der anderen Seite des Racks.
- 6 Achten Sie darauf, dass die Schienen auf jeder Rack-Seite jeweils an der gleichen Stelle auf den vertikalen Schienen montiert werden.

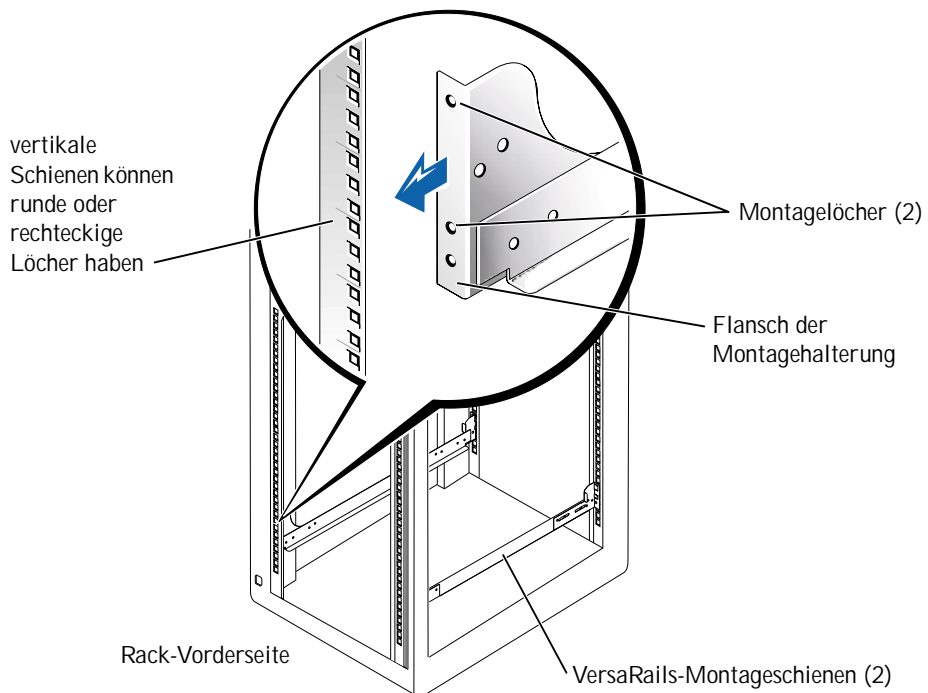
Installieren der VersaRails-Montageschienen

 **HINWEIS:** Wenn Sie bereits RapidRails-Montageschienen installiert haben, können Sie diesen Abschnitt überspringen.

- 1 Positionieren Sie an der Vorderseite des Gestellschranks eine der Montageschienen so, dass der zugehörige Montagehalterungsflansch an die Stelle passt, die Sie in dem Rack ausgewählt haben (siehe Abbildung 3-6).

Die vertikalen Schienen in Gestellschränken haben runde bzw. quadratische Löcher.

Abbildung 3-6. Installieren der VersaRails-Montageschienen



- 2 Drücken Sie die Montageschiene nach vorn, bis die Montagelöcher mit den Löchern auf der vorderen vertikalen Schiene ausgerichtet sind.
- 3 Befestigen Sie den vorderen Montagehalterungsflansch mit zwei 10-32 x 0,5-Zoll-Kreuzschlitzschrauben an der vorderen vertikalen Schiene.
- 4 Ziehen Sie auf der Rückseite des Gestellschranks den hinteren Montagehalterungsflansch nach hinten, bis er mit den rechteckigen Löchern auf der hinteren vertikalen Schiene ausgerichtet ist.
- 5 Befestigen Sie den hinteren Montagehalterungsflansch mit zwei 10-32 x 0,5-Zoll-Kreuzschlitzschrauben an der hinteren vertikalen Schiene.
- 6 Wiederholen Sie die Schritte 1 bis 5 für die andere Montageschiene auf der anderen Seite des Racks.
- 7 Achten Sie darauf, dass die Montageschienen auf jeder Rack-Seite jeweils an der gleichen Stelle auf den vertikalen Schienen montiert werden.

Installieren des Tower-nach-Rack-Konvertier-Kits



HINWEIS: Wenn Ihre Systemversion nur für Racks vorgesehen ist, können Sie diese Prozedur überspringen und bei „Installieren des Systems im Rack“ weiterlesen.



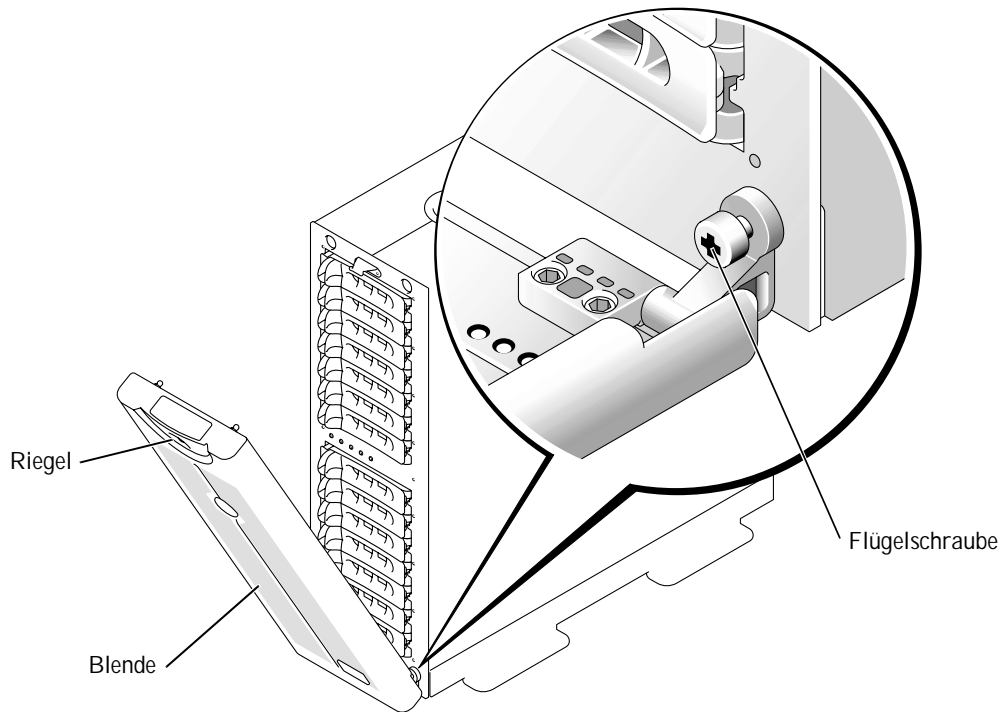
VORSICHT: Ihr System kann sehr groß und schwer sein. Um Verletzungen zu vermeiden, sollten Sie keinesfalls versuchen, das System ohne fremde Hilfe zu bewegen.

Das Tower-nach-Rack-Konvertier-Kit enthält eine Rack-Frontplatte mit Rack-Handgriffen und Flügelschrauben.


Entfernen der Blende, Laufwerke, Abdeckung und Frontplatte

- 1 Fahren Sie das System herunter, schalten Sie die Stromversorgung des Systems aus und ziehen Sie die Strom- und peripheren Kabel ab.
- 2 Um die Blende zu entfernen, führen Sie folgende Schritte aus (siehe Abbildung 3-7):
 - a Öffnen Sie die Frontblende mit dem Systemschlüssel.
 - b Schwenken Sie die Blende nach außen und unten, bis sie senkrecht zu dem System steht.
 - c Lösen Sie die beiden Flügelschrauben, mit denen das Blendenscharnier an der Frontplatte befestigt ist (siehe Abbildung 3-7).
 - d Ziehen Sie die Blende heraus und legen Sie sie beiseite.

Abbildung 3-7. Entfernen der Frontblende



3 Beschriften Sie alle Festplatten und nehmen Sie sie aus dem System heraus.

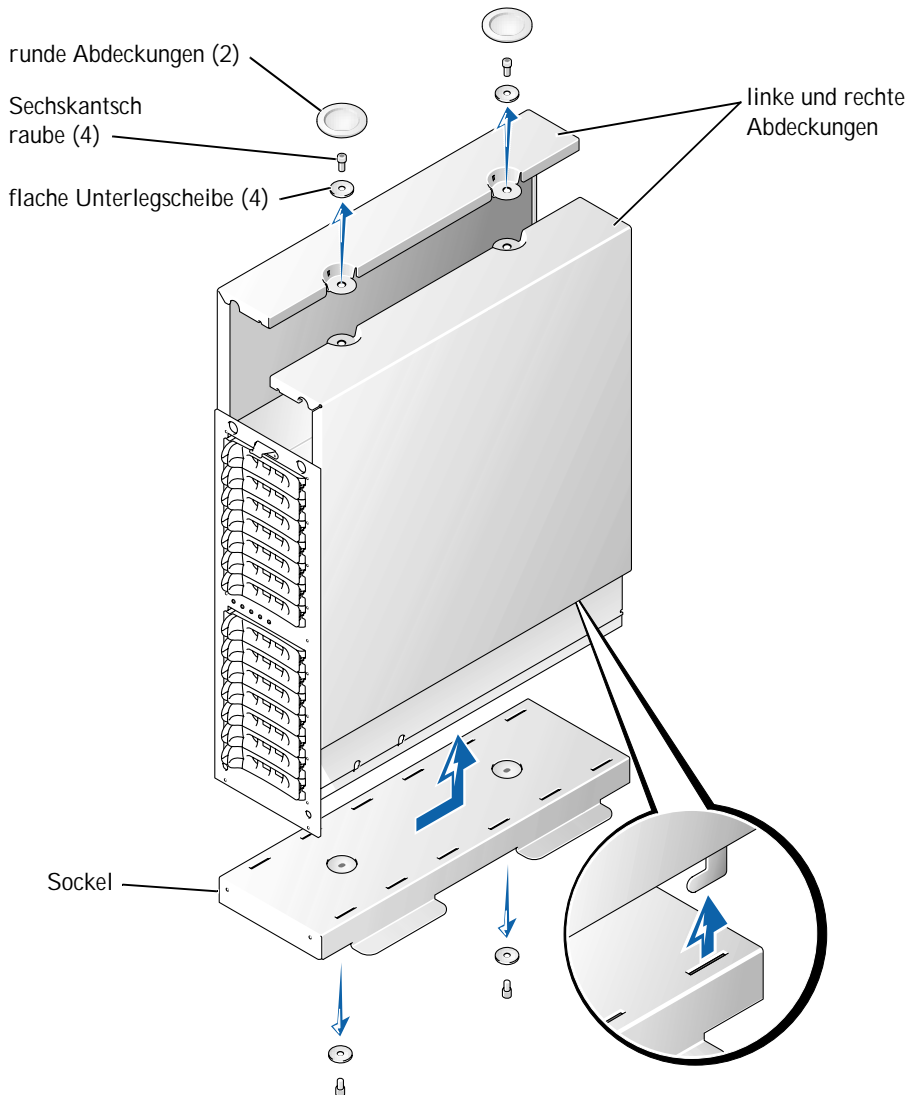
 **HINWEIS:** Obwohl es für die Konvertierung nicht zwingend notwendig ist, sollten Sie die beiden Netzteil- und Kühlmodule an der Rückseite des System-Chassis entfernen, und das Gewicht des Chassis während der Durchführung dieses Verfahrens möglichst gering zu halten (Informationen zum Aus- und Einbauen dieser Module finden Sie in der dem System beiliegenden *Anleitung zur Installation und Fehlersuche*).

4 Um die linken und rechten Systemabdeckungen abzunehmen, führen Sie die folgenden Schritte aus (siehe Abbildung 3-8):

- a Entfernen Sie die beiden runden Abdeckungen auf der Oberseite des Tower-Systems.
- b Entfernen Sie die Sechskantschrauben und flachen Unterlegscheiben auf der Oberseite des Tower-Systems mithilfe eines 3/16-Zoll-Inbusschlüssels.
- c Schieben Sie die linke und rechte Abdeckung nach hinten und weg von der Chassis-Vorderseite; ziehen Sie dann die Abdeckungen nach oben und weg von dem Sockel.

- 5 Um den Sockel des Tower-Systems zu entfernen, führen Sie die folgenden Schritte aus:
- a Legen Sie das System auf die rechte Seite.
 - b Entfernen Sie die beiden Sechskantschrauben und flachen Unterlegscheiben auf der Unterseite des Tower-Systems mithilfe eines 3/16-Zoll-Inbusschlüssels.
 - c Entfernen Sie den Sockel und legen Sie ihn beiseite (siehe Abbildung 3-8).

Abbildung 3-8. Entfernen der Tower-Systemabdeckung



- 6 Um die Frontplatte des Tower-Systems zu entfernen, führen Sie die folgenden Schritte aus (siehe Abbildung 3-9):
 - a Positionieren Sie das System so, dass die Frontplatte ca. 2,5 cm (1 Zoll) über die Tischkante oder Arbeitsfläche hinausragt.
 - b Entfernen Sie die 14 schwarzen 4-40 x 0,25-Zoll T-10 Torx-Flachkopf-Schrauben, mit denen die Frontplatte des Towers an dem Chassis befestigt ist.
 - c Entfernen Sie die Frontplatte von dem System-Chassis und achten Sie dabei darauf, dass Sie nicht die fünf Kunststofflichtröhren beschädigen, die durch die Frontplatte hindurchreichen.

Installieren der Frontplatte des Racks



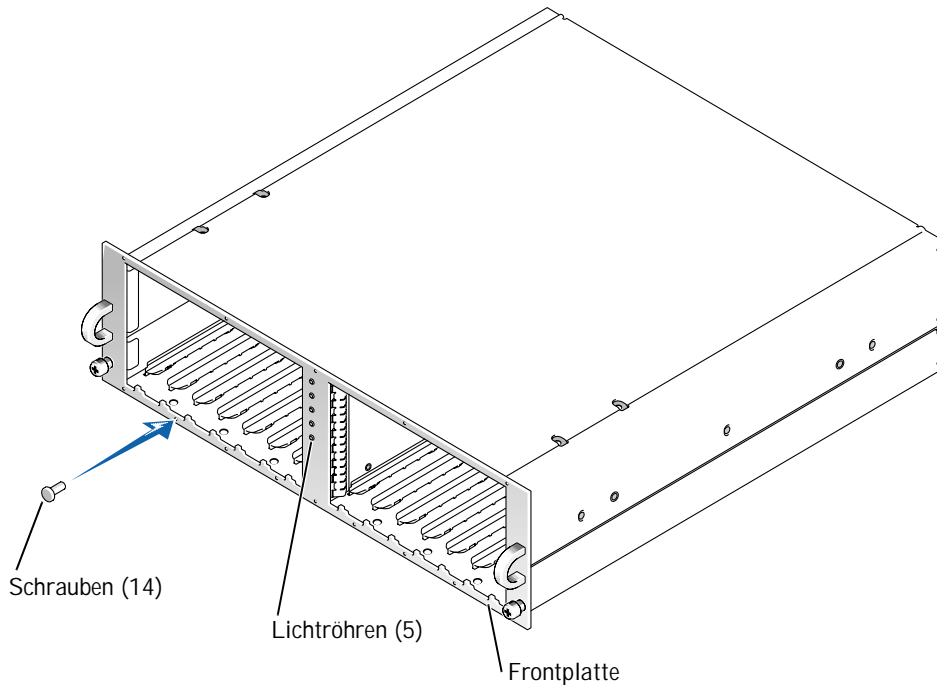
- 1 Positionieren Sie die Rack-Frontplatte an der Vorderseite des System-Chassis und installieren Sie die fünf Lichtröhren in ihren Löchern auf der Frontplatte.
 -  **HINWEIS:** Im nächsten Schritt positionieren Sie zuerst alle vierzehn T-10 Torx-Schrauben in ihren Löchern, bevor Sie die Schrauben anziehen, um eine einwandfreie Ausrichtung zu gewährleisten.
- 2 Befestigen Sie die Rack-Frontplatte mit den vierzehn T-10 Torx-Schrauben, die Sie in Schritt 6 der vorigen Prozedur „Entfernen der Blende, Laufwerke, Abdeckung und Frontplatte“ entfernt haben, an dem Chassis (siehe Abbildung 3-9).
- 3 Bauen Sie die Strom- und Kühlmodule wieder ein (sofern sie entfernt wurden).
 -  **HINWEIS:** Setzen Sie die Festplatten erst ein, wenn das nächste Verfahren „Installieren des Systems im Rack“ abgeschlossen ist.

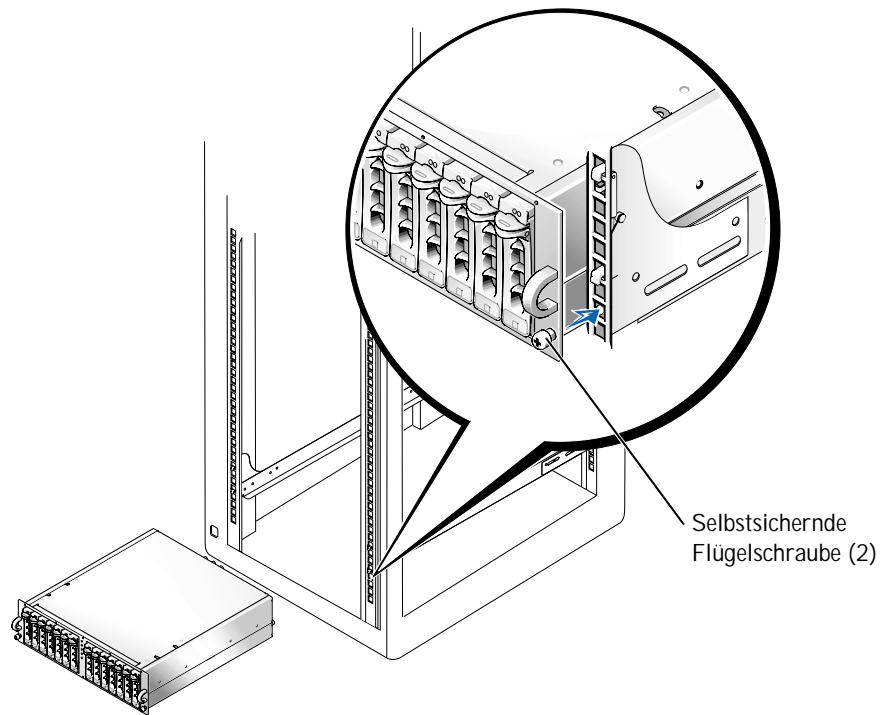
Abbildung 3-9. Installieren der Rack-Frontplatte



Installieren des Systems im Rack

- ⚠ VORSICHT: Wenn Sie mehrere Systeme installieren, installieren Sie das schwerste System möglichst weit unten in dem Rack.
 - ⚠ VORSICHT: Ziehen Sie *niemals* mehr als eine Komponente gleichzeitig aus dem Rack heraus.
- 1 Heben Sie das System vor die Montageschienen, die Sie in den Gestellschrank eingebaut haben, in Position.
 - ⚠ VORSICHT: Wegen der Größe und des Gewichts des Systems sollten Sie niemals versuchen, das System ohne fremde Hilfe in den Schienen zu installieren.
 - 2 Schieben Sie das System in das Rack, bis die System-Frontplatte auf den vertikalen Schienen aufliegt (siehe Abbildung 3-10).
 - 3 Ziehen Sie die selbstsichernden Flügelschrauben auf beiden Seiten der System-Frontplatte an.

Abbildung 3-10. Installieren des Systems im Rack



Einsetzen der Rack-Türen

Weitere Informationen über das Einsetzen der Türen finden Sie in der den Dell 24-U- und 42-U-Gestellschränken beiliegenden Dokumentation. Wenn Sie ein Rack des Typs Dell PowerEdge 4210 haben, lesen Sie die Prozeduren in *Installationshinweise für das PowerEdge 4210 Rack*. Wenn Ihr Gestellschrank kein Dell-Produkt ist, lesen Sie die Dokumentation des Herstellers zum Einsetzen der Türen.

Damit ist die Rack-Installation Ihres Systems abgeschlossen.

Index

A

- Anforderungen
 - Dell-Rack, 3-3
 - Racks anderer Anbieter, 3-4

D

- Dell-Rack-Anforderungen, 3-3
- Dell-Website, 3-7

E

- Einbau
 - Rack-Frontplatte, 3-14
 - RapidRails-Montageschienen, 3-9
 - System im Rack, 3-15, 3-16
 - Tower-nach-Rack-Kit, 3-11
 - VersaRails-Montageschienen, 3-10

I

- Inhalt des Rack-Kits, 3-3
- Installation
 - Schritte, 3-5

K

- Kit-Inhalt
 - abgebildet, 3-3, 3-4
 - Liste, 3-3
 - RapidRails-Kit, 3-3
 - VersaRails-Kit, 3-3

M

- Markieren des Racks, 3-6

R

- Rack
 - Markieren, 3-6
 - Stabilisatoren, 3-5
- Rack-Einheit, 3-7
- Rack-Kit-Inhalt
 - abgebildet, 3-3, 3-4
 - Einbau, 3-5
 - Liste, 3-3
- Racks anderer Anbieter
 - Anforderungen, 3-4
- RapidRails
 - Kit-Inhalt, 3-3
- RapidRails-Montageschienen
 - Einbau, 3-9

S

- Sicherheitsinformationen, 3-4
- System
 - Installation im Rack, 3-15, 3-16

T

- Tower-nach-Rack
 - Einbau, 3-11
- Türen
 - abnehmen, 3-6
 - einsetzen, 3-16

V

- VersaRails
 - Kit-Inhalt, 3-3
 - Rack-Anforderungen anderer Anbieter, 3-4
- Vertikale Schienen
 - eine Rack-Einheit, 3-7
 - Markieren, 3-8

W





- Werkzeuge
 - empfohlen, 3-5

Sistemas Dell™

Guía de montaje del rack



Notas, avisos, precauciones y advertencias

-  **NOTA:** una NOTA indica información importante que le ayudará a usar mejor su ordenador.
-  **AVISO:** un AVISO indica un posible daño en el hardware o la pérdida de datos, e informa de cómo evitar el problema.
-  **PRECAUCIÓN:** un mensaje de PRECAUCIÓN señala una situación potencialmente peligrosa que, de no evitarse, puede provocar lesiones leves o moderadas.
-  **ADVERTENCIA:** una ADVERTENCIA indica una situación potencialmente peligrosa que, si no se evita, puede producir lesiones graves.

**La información de este documento está sujeta a modificaciones sin previo aviso.
© 2001 Dell Computer Corporation. Reservados todos los derechos.**

Queda prohibida su reproducción en cualquier medio sin la autorización por escrito de Dell Computer Corporation.

Marcas comerciales que aparecen en el texto: *Dell*, el logotipo de *DELL*, *PowerEdge*, *RapidRails* y *VersaRails* son marcas comerciales de Dell Computer Corporation.

En este documento pueden utilizarse otras marcas y nombres comerciales para referirse a las entidades propietarias de dichas marcas y nombres o a sus productos. Dell Computer Corporation renuncia a cualquier derecho sobre las marcas y nombres comerciales que no sean de su propiedad.

Contenido

Instrucciones de seguridad	4-1
Instrucciones de instalación	4-2
Contenido del kit de rack RapidRails	4-3
Requisitos para racks Dell	4-3
Contenido del kit de rack VersaRails	4-3
Requisitos para racks que no sean Dell	4-4
Antes de empezar	4-4
Información de seguridad importante	4-4
Pie estabilizador para el rack	4-5
Herramientas y suministros recomendados	4-5
Tareas de montaje	4-5
Desmontaje de las puertas del rack	4-6
Marcado del rack	4-6
Instalación de las guías de montaje RapidRails	4-9
Instalación de las guías de montaje VersaRails	4-10
Montaje del kit de conversión de torre a rack	4-11
Desmontaje del bisel, las unidades, las tapas y el panel frontal	4-11
Montaje del panel frontal del rack	4-14
Montaje del sistema en el rack	4-15
Colocación de las puertas en el rack	4-16

Índice

Figuras

Figura 4-1.	Contenido del kit de rack RapidRails	4-3
Figura 4-2.	Contenido del kit de rack VersaRails	4-4
Figura 4-3.	Unidad de rack	4-7
Figura 4-4.	Marcado de las guías verticales	4-8
Figura 4-5.	Instalación de las guías de montaje RapidRails. . .	4-9
Figura 4-6.	Instalación de las guías de montaje VersaRails	4-10
Figura 4-7.	Extracción del bisel frontal	4-12
Figura 4-8.	Extracción de la tapa del sistema de torre	4-13
Figura 4-9.	Montaje del panel frontal del rack	4-15
Figura 4-10.	Montaje del sistema en el rack.	4-16


Instrucciones de seguridad


Siga estas directrices de seguridad, a fin de garantizar su propia seguridad y la del servidor, sistema de almacenamiento o equipo frente a daños potenciales. Para obtener información completa acerca de la seguridad, las normas y la garantía, consulte el documento *Información del sistema Dell™* de su equipo.


Precauciones para los productos montados en rack

Tenga en cuenta estas precauciones para garantizar la estabilidad y seguridad del rack. Consulte también la documentación de montaje en rack que se suministra con el sistema y el rack para conocer las indicaciones y los procedimientos específicos de advertencia y precaución.

Los servidores, sistemas de almacenamiento y equipos se consideran componentes del rack. Por lo tanto, “componente” se refiere a cualquier servidor, sistema de almacenamiento o equipo, así como a los distintos periféricos o al hardware de soporte.

 **PRECAUCIÓN:** la instalación de componentes de sistemas en un rack sin los estabilizadores delanteros o laterales montados puede hacer que vuelque el rack, hecho que puede llegar a producir lesiones personales o la muerte en ciertas circunstancias. Por tanto, monte siempre los estabilizadores antes de montar los componentes en el rack.

 **PRECAUCIÓN:** después de montar los sistemas o componentes en un rack, nunca extraiga más de un componente sobre sus conjuntos deslizantes de forma simultánea. El peso de más de un componente puede hacer que vuelque el rack y lesionar a alguien.


 **NOTA:** el sistema Dell está homologado en cuanto a seguridad como unidad autónoma y como componente para su uso en un armario rack utilizando el kit de rack para clientes de Dell. El montaje del sistema y kit de rack en armarios rack de otra marca que no sea Dell no ha sido aprobado por ninguna agencia de seguridad. Es responsabilidad del cliente la evaluación, por parte de una agencia de seguridad certificada, de la combinación de sistema y kit de rack montados en armarios rack de otras marcas que no sean Dell. Dell declina toda responsabilidad y garantías relacionadas con tales combinaciones.


- Los kits para rack están concebidos para su montaje en un rack Dell por parte de técnicos de servicio con experiencia. Si monta el kit en cualquier otro rack, éste debe cumplir las especificaciones de un rack Dell.
- No mueva racks de gran tamaño sin ayuda. Debido a la altura y el peso del rack, se recomienda un mínimo de dos personas para realizar dicha tarea.

- Antes de trabajar en el rack, los estabilizadores deben estar fijados en el rack, deben llegar al suelo y todo el peso del rack debe descansar sobre el suelo. Asimismo, monte los estabilizadores delanteros y laterales en un único rack, o los estabilizadores delanteros para varios racks unidos antes de trabajar en el rack.
- Cargue siempre el rack desde la parte inferior hacia arriba, colocando en primer lugar el elemento más pesado.
- El rack debe estar nivelado y estabilizado antes de extraer un componente.
- Tenga cuidado al presionar los pestillos de liberación de las guías de componentes y al extraer o volver a introducir un componente en el rack, puesto que puede pillarse los dedos con las guías deslizantes.
- Una vez insertado un componente en el rack, extienda con cuidado la guía hasta su posición de bloqueo y deslice el componente hacia el interior del rack.
- No sobrecargue el ramal del circuito de alimentación de CA que suministra energía al rack. La carga total del rack no debe ser superior al 80 por ciento del valor nominal del ramal del circuito.
- Los componentes del rack deben disponer de suficiente circulación de aire.
- No se suba ni se apoye en ningún sistema o componente al reparar otros sistemas o componentes del rack.

Instrucciones de instalación

Esta guía de montaje proporciona instrucciones para técnicos de servicio formados que instalen uno o más sistemas en un armario rack. El kit de rack RapidRails™ se puede montar en todos los armarios de racks Dell™, y el kit de rack VersaRails™ se puede instalar en la mayoría de los armarios rack estándar del sector. Los procedimientos para montar los kits de racks RapidRails y VersaRails son similares. Para cada sistema que se vaya a montar en el armario rack se precisa un kit de rack.

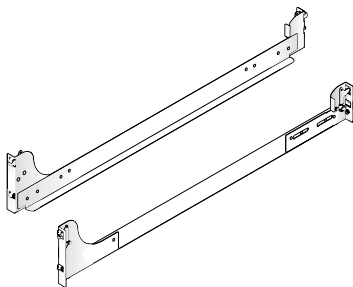
 **PRECAUCIÓN:** no intente montar componentes del kit de rack que se hayan diseñado para otro sistema. Utilice únicamente el kit de rack para su sistema. Si utiliza un kit de rack para otro sistema, pueden causarse daños en el sistema y lesiones personales tanto a uno mismo como a otros.

 **NOTA:** si el sistema es una versión de torre, en primer lugar debe convertir el sistema en una versión de rack utilizando un kit de conversión de torre a rack. En este documento se incluyen instrucciones para montar este kit.

Contenido del kit de rack RapidRails

El kit de rack RapidRails se compone de un par de guías de montaje RapidRails (véase la Figura 4-1).

Figura 4-1. Contenido del kit de rack RapidRails



Guías de montaje RapidRails

Requisitos para racks Dell

- ➔ **AVISO:** este kit de rack está concebido para su montaje en un rack Dell por técnicos de servicio con experiencia. Si monta el kit en otro rack, éste debe cumplir con las especificaciones siguientes: American National Standards Institute (ANSI)/Electronic Industries Association (EIA) ANSI/EIA-310-D-92, International Electrotechnical Commission (IEC) 297 y Deutsche Industrie Norm (DIN) 41494. Se precisa un kit de rack para cada sistema que se monte en el rack.

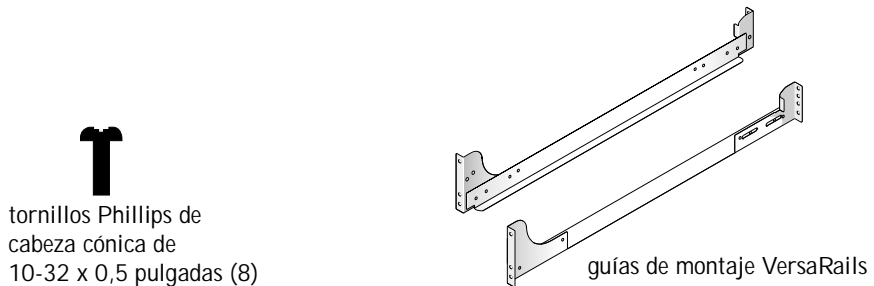
Contenido del kit de rack VersaRails

El kit de rack VersaRails se compone de los elementos siguientes (consulte la figura 4-2):

- Un par de guías de montaje VersaRails
- Ocho tornillos Phillips de 10-32 x 0,5 pulgadas

- ✍ **NOTA:** los tornillos no métricos que se describen en las ilustraciones y en los pasos de los procedimientos se identifican por el tamaño y el número de roscas por pulgada. Por ejemplo, un tornillo Phillips del nº 10 con 32 roscas por pulgada se identifica como un tornillo 10-32.

Figura 4-2. Contenido del kit de rack VersaRails



Requisitos para racks que no sean Dell

- ➔ **AVISO:** Este kit de rack lo deben montar únicamente técnicos de servicio formados en un rack que cumpla con las especificaciones siguientes: American National Standards Institute (ANSI)/Electronic Industries Association (EIA) ANSI/EIA-310-D-92, International Electrotechnical Commission (IEC) 297 y Deutsche Industrie Norm (DIN) 41494. Se precisa un kit de rack para cada sistema que se monte en el rack.

Antes de empezar

Antes de montar el sistema en el rack, lea las “Instrucciones de seguridad” de la portada del documento, así como las instrucciones de seguridad del folleto *Información del sistema* para obtener información adicional.


- ⚠ **PRECAUCIÓN:** cuando monte varios sistemas en un rack, realice todos los procedimientos para el sistema que esté instalando antes de montar el siguiente.


Información de seguridad importante

Cuando monte el sistema en el rack, tome las precauciones de seguridad que se indican en los siguientes apartados.

- ⚠ **PRECAUCIÓN:** debe seguir estrictamente los procedimientos que se explican en esta guía para protegerse a sí mismo y a otras personas que se puedan ver involucradas. El sistema puede tener una envergadura y un peso considerables por lo que son importantes una preparación y planificación adecuadas para evitar lesiones personales a uno mismo y a otros. Esto es más importante aún cuando se montan sistemas en la parte alta del rack.

Pie estabilizador para el rack

 **PRECAUCIÓN:** el montaje de un sistema en un rack sin los pies estabilizadores delantero y lateral instalados y fijados al suelo podría hacer que volcase el rack, hecho que puede producir lesiones personales o la muerte en determinadas circunstancias. Por tanto, instale y fije siempre los estabilizadores antes de montar los componentes en el rack.

 **PRECAUCIÓN:** tras instalar sistemas en un rack, nunca extraiga más de un sistema del rack a la vez. El peso de más de un sistema extendido puede hacer que vuelque el rack y cause algún daño.

Los pies estabilizadores ayudan a evitar que el rack vuelque al retirar del rack un sistema u otro componente. Consulte la documentación que se facilita con el armario rack para obtener instrucciones sobre el montaje y la fijación del pie estabilizador.

Herramientas y suministros recomendados


Los siguientes elementos facilitan el montaje:

- Un destornillador Phillips nº 2 (para montaje de un kit VersaRails)
- Un destornillador Torx T-10 (para montaje del kit de torre a rack)
- Una llave de cabeza hexagonal de 3/16 pulg. (para montaje del kit de torre a rack)

Tareas de montaje

El montaje de un kit de rack implica las siguientes tareas:

- 1 Desmontaje de las puertas del rack
- 2 Marcado del rack
- 3 Montaje de las guías de montaje en el rack
- 4 Montaje del kit de conversión de torre a rack (en caso necesario)
- 5 Montaje del sistema en el rack
- 6 Colocación de las puertas del rack

 **NOTA:** Los procedimientos siguientes se aplican tanto a los armarios rack Dell como a los no fabricados por Dell a menos que se especifique.

Desmontaje de las puertas del rack

Consulte los procedimientos para desmontar las puertas en la documentación que se facilita con los armarios rack Dell 24-U y 42-U. Si tiene un rack Dell PowerEdge 4210, consulte los procedimientos indicados en la *Guía de montaje del rack Dell PowerEdge 4210*. Si tiene un armario rack no fabricado por Dell, consulte la documentación del fabricante para desmontar las puertas.



PRECAUCIÓN: debido al tamaño y al peso de las puertas del compartimento del rack, nunca debe intentar desmontarlas ni instalarlas una sola persona.

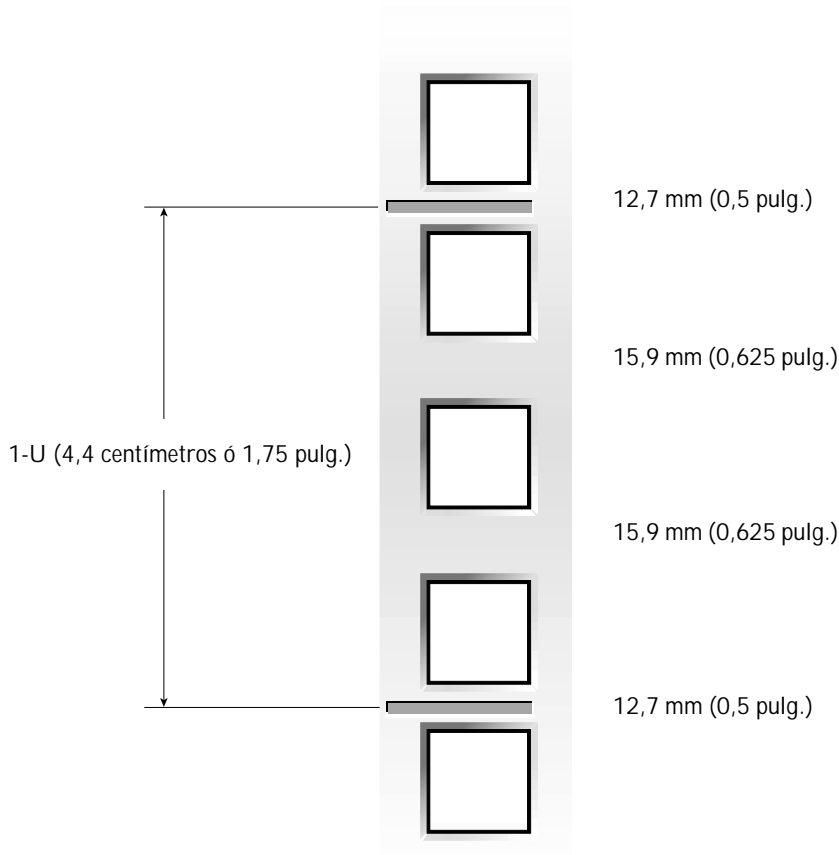
Marcado del rack



NOTA: Si está montando un kit de rack VersaRails, pase directamente al procedimiento, "Montaje de las guías de montaje VersaRails".

Debe dejar 3-U (5,25 pulgadas) de espacio vertical para cada sistema que monte en el rack. Los armarios rack Dell y los no fabricados por Dell que cumplan con los estándares EIA-310 tienen un patrón alterno de tres orificios por U con un espacio entre orificio de centro a centro (comenzando en el orificio superior de un espacio 1-U) de 15,9 mm, 15,9 mm y 12,7 mm (0,625 pulgadas, 0,625 pulgadas y 0,5 pulgadas) para las guías verticales frontal y posterior (véase la figura 4-3).

Figura 4-3. Unidad de rack



Para obtener información acerca de los requisitos para el montaje de componentes en un rack Dell, consulte al software Dell Rack Advisor, disponible en el sitio web de Dell, en <http://support.dell.com>.

! PRECAUCIÓN: si va a montar más de un sistema, instale las guías de montaje de modo que el primer sistema se monte en la posición más baja disponible en el rack.

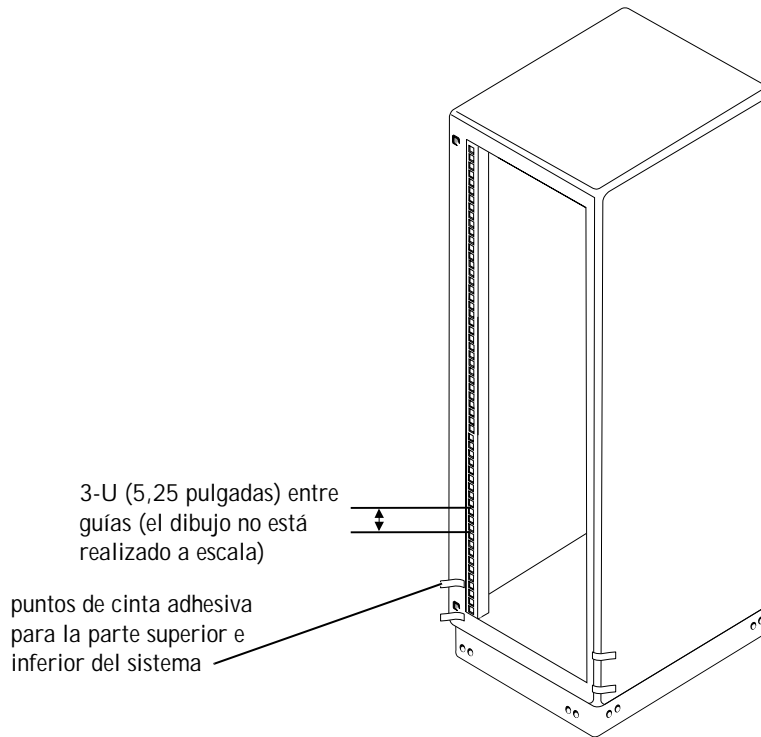
Para marcar el rack, realice los pasos siguientes:

- 1 Coloque una marca en las guías verticales frontales en las que desee colocar la parte inferior del sistema que está instalando en el armario rack.

La parte inferior de cada espacio 1-U se encuentra en medio del espacio metálico más estrecho entre orificios (marcados con una línea horizontal en algunos armarios rack, véase la figura 4-3).

- 2 Coloque una marca a 13,3 centímetros (5,25 pulgadas) por encima de la marca original (o cuente nueve orificios en un bastidor que cumpla los estándares EIA-310) y marque las guías verticales frontales del rack con un rotulador de punta de fieltro o coloque cinta adhesiva donde vaya a situarse el borde superior del sistema (consulte la figura 4-4).

Figura 4-4. Marcado de las guías verticales

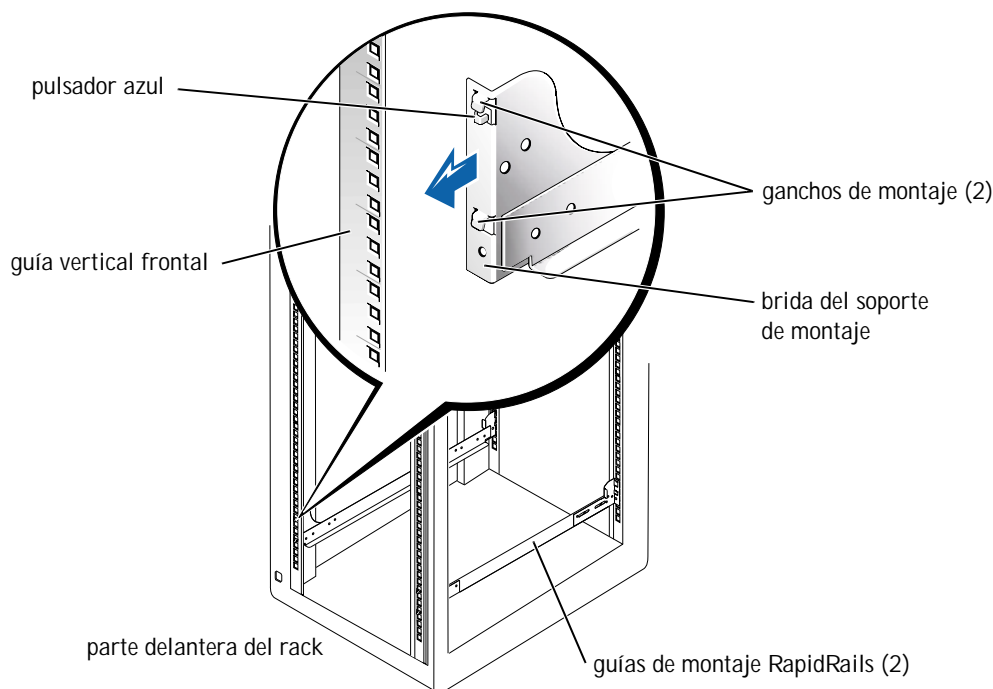


Instalación de las guías de montaje RapidRails

 NOTA: si está montando las guías VersaRails, consulte “Montaje de las guías de montaje VersaRails”.


- 1 En la parte frontal del armario rack, coloque una de las guías de montaje de forma que la brida del soporte de montaje se ajuste perfectamente entre las marcas o cinta colocada en el rack (consulte la figura 4-5).
- 2 Alinee la brida del soporte de montaje de la guía (situada en la parte frontal de la guía) con los orificios cuadrados de las guías verticales frontales (consulte la figura 4-5).
- 3 Empuje sobre la guía hacia delante hasta que el gancho de montaje quede colocado en los orificios cuadrados de la guía vertical y, a continuación, empuje hacia abajo la brida del soporte de montaje hasta que los ganchos de montaje se asientan en los orificios cuadrados, y el pulsador azul salga y emita un clic.

Figura 4-5. Instalación de las guías de montaje RapidRails



- 4 En la parte posterior del armario, tire hacia atrás de la brida de soporte de montaje hasta que los ganchos de montaje se coloquen en sus orificios cuadrados de la guía vertical y, a continuación, empuje hacia abajo sobre la brida del soporte de montaje hasta que los ganchos de montaje se asienten en los orificios cuadrados y el pulsador azul salga y emita un clic.
- 5 Repita los pasos del 1 a 4 para la guía del otro lateral del rack.
- 6 Asegúrese de que las guías están montadas en la misma posición en las guías verticales en cada lado del rack.

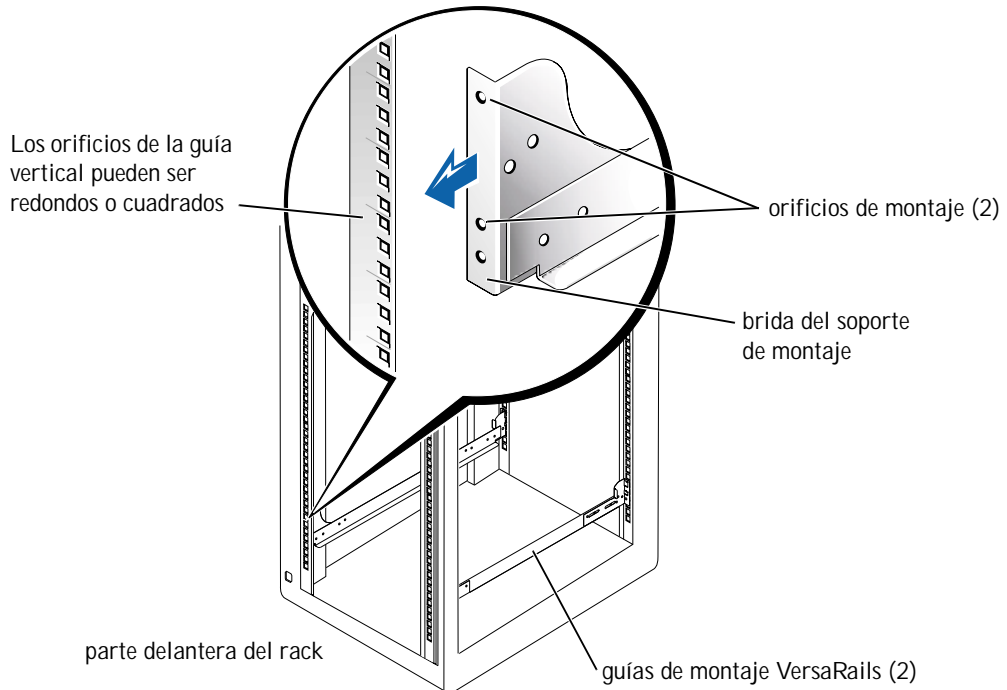
Instalación de las guías de montaje VersaRails

 **NOTA:** si ya ha instalado las guías de montaje RapidRails, ignore esta sección.

- 1 En la parte frontal del armario rack, coloque una de las guías de montaje de forma que la brida del soporte de montaje se ajuste perfectamente en el punto seleccionado en el rack (consulte la figura 4-6).

Los orificios de las guías verticales del rack pueden ser redondos o cuadrados.

Figura 4-6. Instalación de las guías de montaje VersaRails



- 2 Empuje la guía de montaje hacia delante hasta que los orificios de montaje estén alineados con los orificios de la guía vertical frontal.
- 3 Con dos tornillos Phillips 10-32 x 0,5, fije la brida del soporte de montaje frontal a la guía vertical frontal.
- 4 En la parte trasera del armario, tire hacia atrás de la brida del soporte de montaje hasta que quede alineada con los orificios de la guía vertical trasera.
- 5 Con dos tornillos Phillips 10-32 x 0,5, fije la brida del soporte de montaje trasera a la guía vertical trasera.
- 6 Repita los pasos del 1 al 5 para la guía de montaje del otro lateral del rack.
- 7 Asegúrese de que las guías de montaje están montadas en la misma posición en las guías verticales en cada lado del rack.

Montaje del kit de conversión de torre a rack



NOTA: si tiene una versión del sistema sólo en rack, ignore este procedimiento y pase directamente a "Montaje del sistema en el rack" .



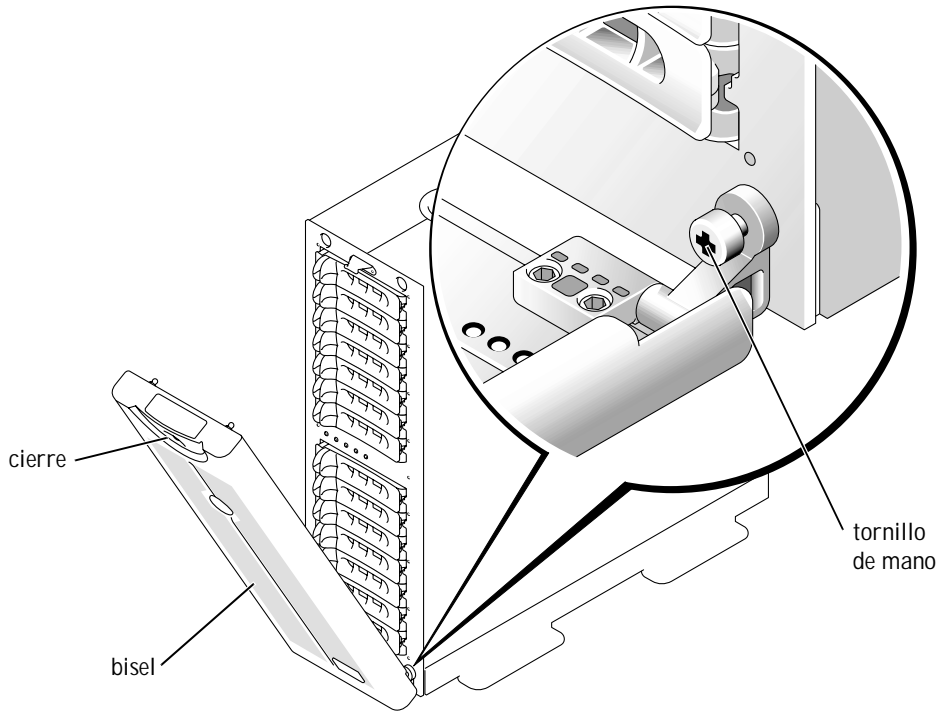
PRECAUCIÓN: el sistema puede tener una envergadura y un peso considerable. A fin de evitar lesiones personales, no intente mover el sistema sin ayuda.

El kit de conversión de torre a rack incluye un panel frontal del rack con asas y tornillos de mano.

Desmontaje del bisel, las unidades, las tapas y el panel frontal

- 1 Apague y desenchufe el sistema y desconecte los cables de alimentación y periféricos.
- 2 Para retirar el bisel (consulte la figura 4-7):
 - a Con la llave del sistema, desbloquee el bisel frontal.
 - b Gire el bisel del sistema hacia fuera y hacia abajo hasta que esté perpendicular al sistema.
 - c Afloje los dos tornillos de mano que fijan la bisagra del bisel al panel frontal (consulte la figura 4-7).
 - d Tire del bisel y colóquelo a un lado.

Figura 4-7. Extracción del bisel frontal



3 Etiquete todas las unidades de disco duro y retírelas del sistema.



NOTA: aunque no es necesario para la conversión, quizás desee retirar los dos módulos de alimentación y refrigeración de la parte posterior del chasis del sistema para reducir el peso del chasis mientras realiza este procedimiento (consulte la *Guía de instalación y resolución de problemas* del sistema para obtener instrucciones sobre la extracción y colocación de estos módulos).

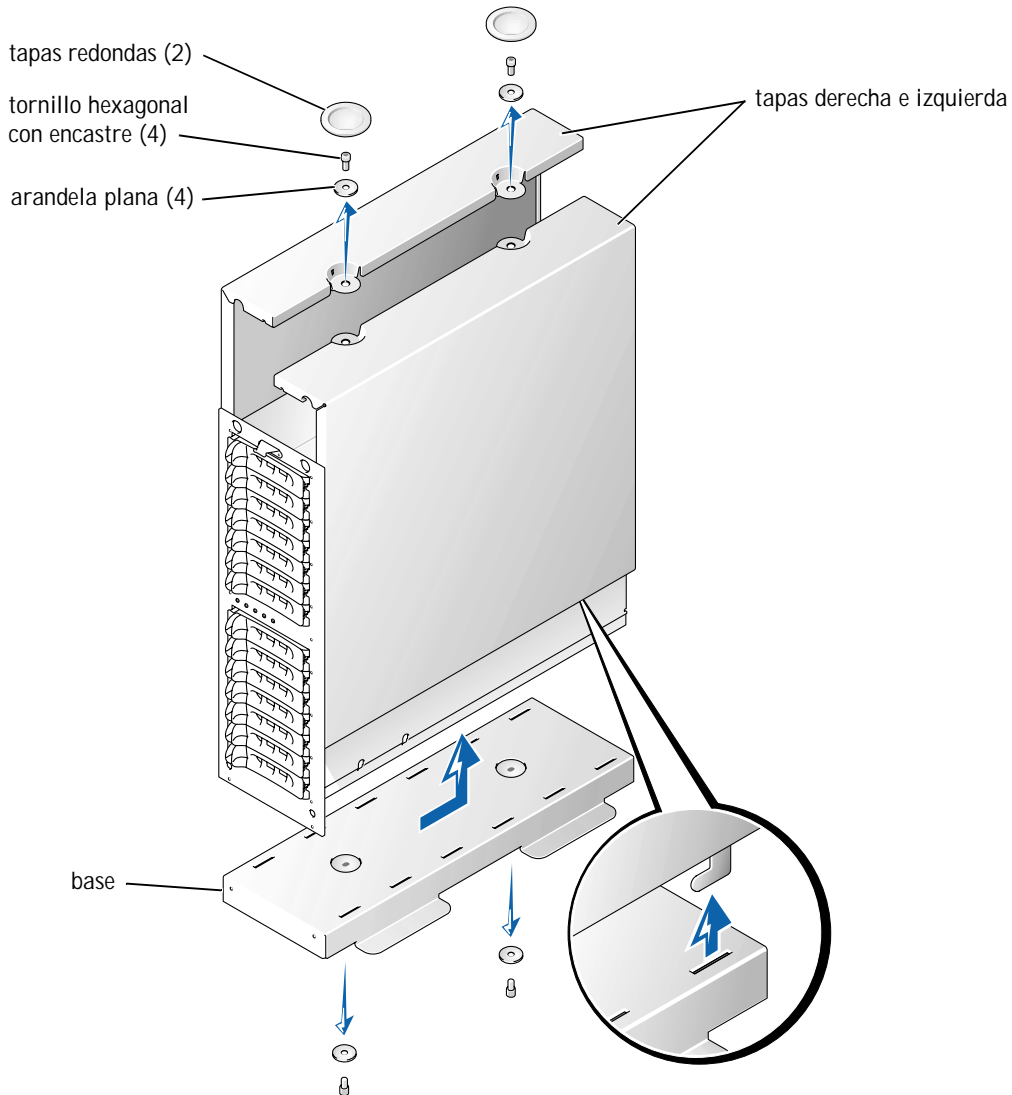
4 Para retirar las tapas izquierda y derecha del sistema (consulte la figura 4-8):

- a Retire las dos tapas redondas de la parte superior del sistema de torre.
- b Utilice una llave de cabeza hexagonal (Allen) de 3/16 pulgadas para retirar los tornillos hexagonales con encastre en cabeza y las arandelas planas de la parte superior del sistema de torre.
- c Deslice hacia atrás la tapa izquierda y derecha, lejos de la parte frontal del chasis para desengancharla y tire las tapas hacia arriba, para retirarlas de la base.

5 Para extraer la base del sistema de torre:

- a Tumbé el sistema sobre su lado derecho.
- b Utilice una llave de cabeza hexagonal (Allen) de 3/16 pulgadas para retirar los dos tornillos hexagonales con encastre en cabeza y las arandelas planas de la base del chasis de torre.
- c Retire la base y colóquela a un lado (consulte la figura 4-8):

Figura 4-8. Extracción de la tapa del sistema de torre



- 6 Para extraer el panel frontal del sistema de torre (consulte la figura 4-9):
 - a Coloque el sistema de forma que el panel frontal se coloque unos 2,5 centímetros (1 pulgada) sobrepasando el borde de la mesa o la superficie de trabajo.
 - b Retire los tornillos T-10 Torx negros de cabeza cónica de 14 4-40 x 0,25 pulgadas que fijan el panel frontal de la torre al chasis.
 - c Retire el panel frontal del chasis del sistema, teniendo cuidado para evitar dañar los cinco tubos de plástico ligeros colocados a lo largo del panel frontal.

Montaje del panel frontal del rack



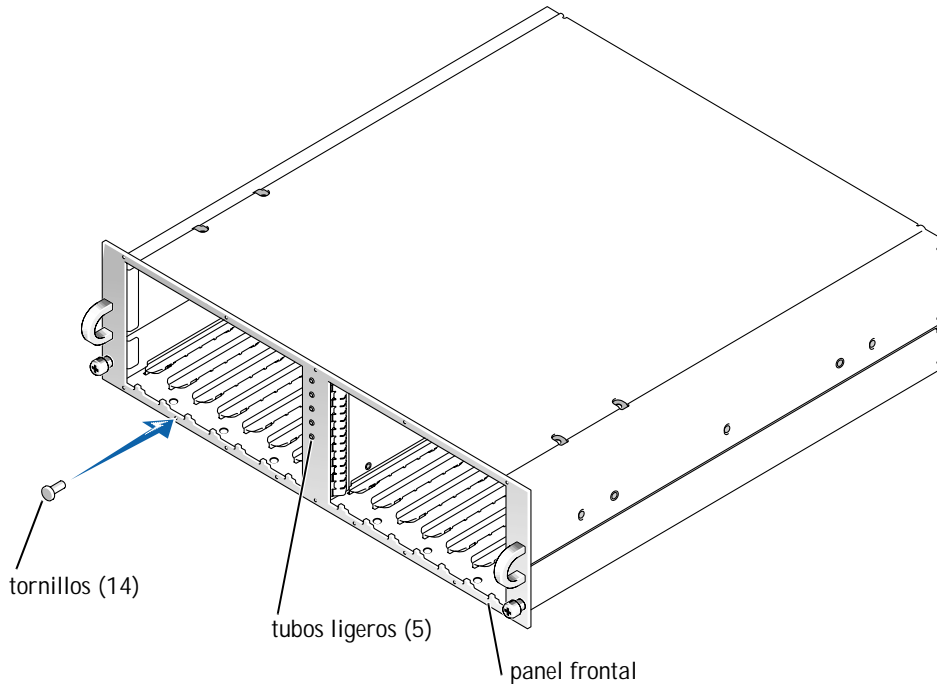
- 1 Coloque el panel frontal del rack en la parte frontal del chasis del sistema, y monte con cuidado los cinco tubos ligeros en sus orificios del panel frontal.
 -  NOTA: en el siguiente paso, coloque todos los tornillos Torx 14 T-10 en sus orificios antes de apretar alguno de ellos para asegurar una alineación correcta.
- 2 Fije el panel frontal del rack al chasis con los tornillos Torx 14 T-10 quitados en el paso 6 del último procedimiento, “Desmontaje del bisel, las unidades, las tapas y el panel frontal” (consulte la figura 4-9).
- 3 Vuelva a montar los módulos de alimentación y refrigeración (si se retiraron).
 -  NOTA: no monte las unidades de disco duro hasta completar el procedimiento siguiente, “Montaje del sistema en el rack”.

Figura 4-9. Montaje del panel frontal del rack



Montaje del sistema en el rack

⚠ PRECAUCIÓN: si va a montar más de un sistema, monte el sistema más pesado en la posición más baja que haya disponible en el rack.

⚠ PRECAUCIÓN: *nunca* extraiga más de un componente del rack a la vez.

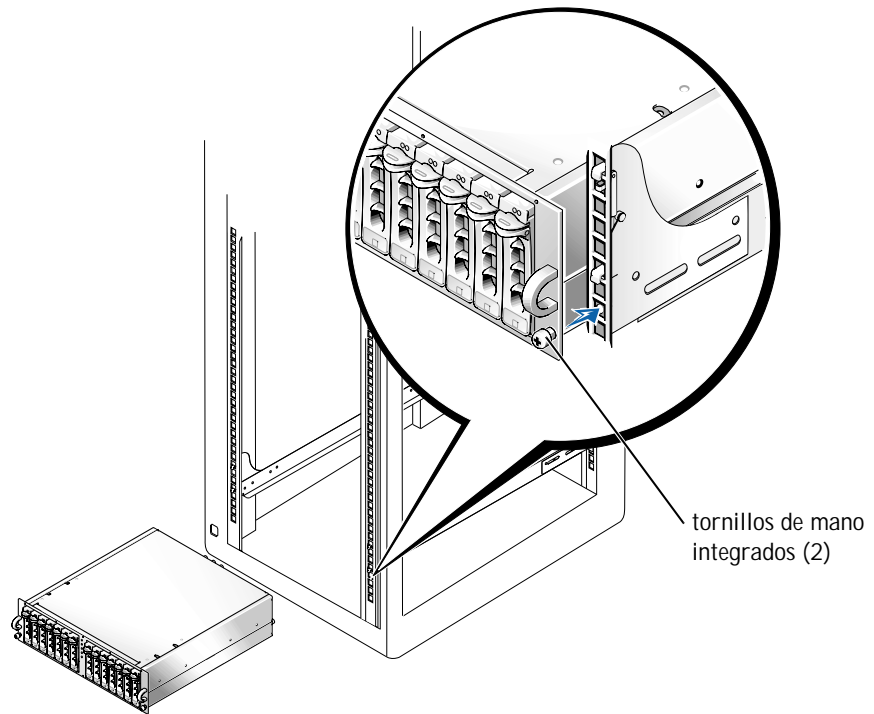
1 Levante el sistema hasta colocarlo frente a las guías de montaje instaladas en el armario rack.

⚠ PRECAUCIÓN: debido al tamaño y el peso del sistema, no intente nunca montar el sistema en las guías sin ayuda.

2 Inserte el sistema en el rack que el panel frontal esté colocado contra las guías verticales (consulte la figura 4-10).

3 Apriete los tornillos de mano integrados en cada lado del panel frontal del sistema.

Figura 4-10. Montaje del sistema en el rack



Colocación de las puertas en el rack

Consulte los procedimientos para volver a colocar las puertas en la documentación que se facilita con los armarios rack Dell 24-U y 42-U. Si tiene un rack Dell PowerEdge 4210, consulte los procedimientos indicados en la *Guía de montaje del rack Dell PowerEdge 4210*. Si tiene un armario rack no fabricado por Dell, consulte la documentación del fabricante para volver a colocar las puertas.

La conversión de montaje en rack de su sistema ya está terminada.

Índice

C

- contenido del kit
 - ilustración, 4-3, 4-4
 - lista de componentes, 4-3
 - RapidRails, kit, 4-3
 - VersaRails, kit, 4-3
- contenido del kit de rack, 4-3
 - ilustración, 4-3, 4-4
 - lista de componentes, 4-3
 - montar, 4-5

G

- guías de montaje RapidRails
 - montar, 4-9
- guías verticales
 - marcar, 4-8
 - unidad de rack, 4-7

H

- herramientas
 - recomendadas, 4-5

I

- información de seguridad, 4-4

M

- marcar el rack, 4-6
- montaje
 - tareas, 4-5
- montar
 - guías de montaje
 - RapidRails, 4-9
 - guías de montaje
 - VersaRails, 4-10
 - kit de torre a rack, 4-11
 - panel frontal del rack, 4-14
 - sistema en rack, 4-15, 4-16

P

- puertas
 - desmontaje, 4-6
 - volver a colocar, 4-16

R

- rack
 - marcar, 4-6
 - pie estabilizador, 4-5
- rack que no sea de Dell
 - requisitos, 4-4
- RapidRails
 - contenido del kit, 4-3

requisitos

- rack Dell, 4-3
 - rack que no sea de Dell, 4-4
- ## Requisitos para racks
- Dell, 4-3

S

- sistema
 - montar en rack, 4-15, 4-16
- sitio web de Dell, 4-7

T

- torre a rack
 - montar, 4-11

U

- unidad de rack, 4-7





V

- VersaRails
 - contenido del kit, 4-3
 - Requisitos para racks que no sean Dell, 4-4

Dell™ システム

ラック取り付けガイド

メモ、注意、警告および危険

-  **メモ**：メモは、コンピュータを使いやすくする為の重要な情報を説明しています。
-  **注意**：注意は、ハードウェアの損傷やデータの損失の可能性を示し、その危険を回避するための方法を説明しています。
-  **警告**：警告は、問題を回避しないと、身体に危険を及ぼす可能性があることを示します。
-  **危険**：危険は、問題を回避しないと、身体に重大な損害を与える可能性や死に至る危険性があることを示します。

ここに記載されている内容は予告なく変更されることがあります。
© 2001 年すべての著作権は Dell Computer Corporation にあります。

Dell Computer Corporation の書面による許可のない複写は、いかなる形態においても厳重に禁じられています。

本書で使用されている商標について：Dell、DELL ロゴ、PowerEdge、RapidRails、および VersaRails は Dell Computer Corporation の商標です。

本書では、必要に応じて上記記載以外の商標および会社名が使用されている場合がありますが、これらの商標や会社名は、一切 Dell Computer Corporation に所属するものではありません。

目次

安全にお使いいただくための注意	5-1
インストールガイド	5-2
RapidRails ラックキットの内容	5-3
Dell ラックの要件	5-3
VersaRails ラックキットの内容	5-3
Dell 以外のメーカーのラックの要件	5-4
はじめに	5-4
安全に関する重要な注意	5-4
ラック安定用の脚	5-5
推奨する工具および備品	5-5
取り付け手順	5-5
ラックの扉の取り外し	5-6
ラックに印を付ける	5-6
RapidRails 取り付け用レールの取り付け	5-9
VersaRails 取り付け用レールの取り付け	5-10
タワー - ラック転換キットの取り付け	5-11
ベゼル、ドライバ、カバー、正面パネルの取り外し	5-11
ラック正面パネルの取り付け	5-14
ラックへのシステムの取り付け	5-15
ラックの扉の取り付け	5-16

索引



図 5-1	RapidRails ラックキットの内容	5-3
図 5-2	VersaRails ラックキットの内容	5-4
図 5-3	ラックの 1-U	5-7
図 5-4	垂直レールに印を付ける	5-8
図 5-5	RapidRails 取り付け用レールの取り付け	5-9
図 5-6	VersaRails 取り付け用レールの取り付け	5-10
図 5-7	正面ベゼルの取り外し	5-12
図 5-8	タワーシステムカバーの取り外し	5-13
図 5-9	ラック正面パネルの取り付け	5-15
図 5-10	ラックへのシステムの取り付け	5-16


安全にお使いいただくための注意


ご自身の身体の安全を守り、サーバ、ストレージシステム、アプライアンスを損傷から保護するために、以下の点にご注意ください。安全、規則、保障の詳細については、ご利用の Dell™ システムの『システム情報』マニュアルを参照してください。


ラックに設置可能な製品に対する注意点

ラックの安定性や安全性に関して、次の点にご注意ください。特定の警告や注意文および手順については、システムやラックに同梱されているラック取り付けマニュアルを参照してください。

サーバ、ストレージシステム、およびアプライアンスは、ラックに取り付ける部品とみなします。したがって「部品」の用語は、サーバ、ストレージシステム、アプライアンス、および各種周辺装置またはサポートハードウェアを意味します。

 **警告**：ラック正面および横の安定板を取り付けずにラックにシステム部品を取り付けると、ラックが転倒し、けがをしたり死に至る恐れがあります。したがって、必ず安定板を取りつけてからラックに部品を取り付けてください。

 **警告**：ラックにシステム/部品を取り付けた後は、一度に2台以上の部品を、スライドアセンブリのラックから引き出さないでください。重みでラックが転倒し、けがをする恐れがあります。


 **メモ**：お使いの Dell システムは、独立型のユニットとして、また、Dell カスタマラックキットで構成される Dell のラックキャビネットに取り付ける部品として、その安全性を保証されています。Dell 以外のメーカーのラックキャビネットに Dell のシステムやラックキットを取り付けることは、どの安全機関でも承認されていません。Dell 以外のメーカーのラックキャビネットで Dell のシステムやラックキットを最終的に組み合わせて使用する場合は、ユーザーが責任を持って認定安全機関で適合性の評価を受けてください。Dell は、上記の組み合わせに関する一切の責任および保証を否認します。


- システムラックキットは、トレーニングを受けたサービス技術者が Dell のラックに取り付けます。キットを別のラックに取り付ける場合は、そのラックが Dell のラック仕様に適合するかを確認してください。
- 大型ラックを 1 人で移動しないでください。ラックの高さと重さを考慮して、少なくとも 2 人以上でラックを移動することをお勧めします。
- ラックを移動する前に、安定板がラックに固定されて床面に伸び、ラックの全重量が床面にかかっていることを確認してください。ラックを移動する前に、1 つのラックの場合は正面と横の安定板、複数の組み合わせられたラックの場合は正面の安定板を取り付けます。

- ラックには必ず下から上の順に、最も重いものから設置します。
- 部品をラックから引き出す前に、ラックが平行で安定していることを確認してください。
- 部品レールリリースラッチを押し、部品をラックの中または外にスライドする場合はご注意ください。スライドレールに指をはさまれることがあります。
- 部品をラックに設置したら、レールをロック位置に静かに伸ばし、部品をラックの中にスライドします。
- ラックに電力を送る AC 分岐回路に過重電流を流さないでください。ラックの総負荷が分岐回路定格の 80 パーセントを超えないようにしてください。
- ラックの部品に空気が十分に送られていることを確認します。
- ラックの他のシステム/部品を取り扱っているときに、システム/部品の上に乗ったり、立ってはいけません。

インストールガイド

このガイドは、ラックキャビネットに 1 つまたは複数のシステムを取り付ける作業を行う、トレーニングを受けたサービス技術者向けの手順書です。RapidRails™ ラックキットはすべての Dell™ ラックキャビネットに、VersaRails™ ラックキットは標準的なほとんどのラックキャビネットに取り付けることができます。RapidRails および VersaRails ラックキットの取り付け手順はほとんど同じです。ラックキャビネットに取り付けるシステム 1 基ごとにラックキット 1 セットが必要です。

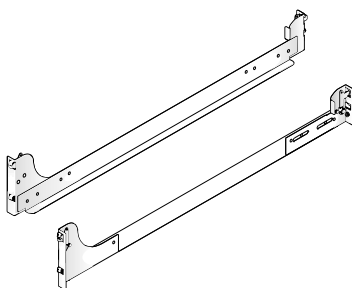
 **警告** : 別のシステム用に設計されたラックキット部品は取り付けないでください。ご使用のシステムに対応したラックキットのみを使用してください。別のシステム用のラックキットを使用すると、システムが損傷し、ご自身や関係者がけがをする恐れがあります。

 **メモ** : タワーバージョンのシステムを使用している場合は、最初にタワーラック転換キットを取り付けてラックバージョンに転換する必要があります。このキットの取り付け手順は本書で説明しています。

RapidRails ラックキットの内容

RapidRails ラックキットは、1組の RapidRails 取り付け用レールで構成されています (図 5-1 参照)。

図 5-1. RapidRails ラックキットの内容



RapidRails 取り付け用レール

Dell ラックの要件

- ➡ 注意：本ラックキットは、トレーニングを受けたサービス技術者が Dell ラックに取り付けます。ほかのラックにこのキットを取り付けるときは、かならず、そのラックが米国規格協会 (ANSI) / 米国電子工業会 (EIA) 規格 ANSI/EIA-310-D-92、国際電気標準会議 (IEC) 297、ドイツ工業規格 (DIN) 41494 の仕様に適合していることを確認してください。ラックに取り付けるシステム 1 基ごとにラックキット 1 セットが必要です。

VersaRails ラックキットの内容

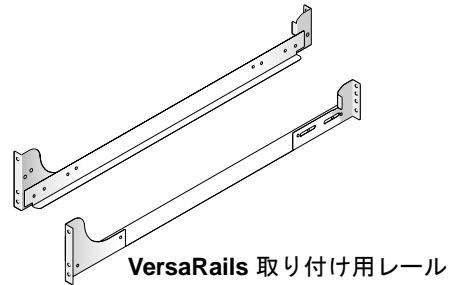
VersaRails ラックキットの内容は次のとおりです (図 5-2 参照)。

- VersaRails 取り付け用レール 1 組
- 10-32 x 0.5 インチプラスネジ 8 個

✎ メモ：図と手順で示されているメートル法規格ではないネジは、サイズとインチ当たりねじ山数で表記されています。たとえば、インチ当たりねじ山数 32 の #10 プラスネジは、10-32 の表記になります。

図 5-2. VersaRails ラックキットの内容

T
10-32 x 0.5 インチの
ナベプラスネジ (8)



Dell 以外のメーカーのラックの要件

- ➡ 注意：本ラックキットは、トレーニングを受けたサービス技術者が米国規格協会 (ANSI)/米国電子工業会 (EIA) 規格 ANSI/EIA-310-D-92、国際電気標準会議 (IEC) 297、ドイツ工業規格 (DIN) 41494 に適合したラックに取り付けます。ラックに取り付けるシステム 1 基ごとにラックキット 1 セットが必要です。

はじめに

システムをラックに取り付ける前に、本書の冒頭にある「安全にお使いいただくための注意」をお読みください。また、『システム情報』マニュアルの「安全にお使いいただくための注意」も参照してください。


- ⚠ 警告：複数のシステムをラックに取り付ける場合は、1 基のシステムの手順を完了してから、次のシステムに取り付けに進んでください。


安全に関する重要な注意

システムをラックに取り付ける場合は、次の各セクションの安全上の注意に従ってください。

- ⚠ 警告：作業者は、自分自身と関係者を保護するために、本書の手順を遵守する必要があります。システムは非常に大きく相当な重量があります。自分自身と関係者のけがを防ぐために、きちんと準備をして計画的に作業を進める必要があります。これは、特にシステムをラックの高い位置に取り付ける場合に重要になります。

ラック安定用の脚

 **警告**：ラック正面および横の安定用の脚を取り付けずに、また安定用の脚を床に固定せずにラックにシステムを取り付けると、ラックが転倒し、けがをしたり死に至る恐れがあります。したがって、安定用の脚を取り付けて床に固定してから、ラックに部品を取り付けてください。

 **警告**：ラックにシステムを取り付けた後で、一度に複数のシステムをラックから引き出さないでください。引き出された複数のシステムの重みでラックが転倒し、けがをする恐れがあります。

安定用の脚は、ラックからシステムやその他の部品を引き出す際にラックの転倒を防ぎます。安定用の脚を取り付けて床に固定する手順については、ラックキャビネットに付属のマニュアルを参照してください。

推奨する工具および備品


以下のような工具を使用すると、取り付け作業をスムーズに進めることができます。

- #2 プラスドライバ (VersaRails キットを取り付ける場合)
- Torx T-10 ドライバ (タワーラックキットを取り付ける場合)
- 3/16 インチ六角レンチ (タワーラックキットを取り付ける場合)

取り付け手順


ラックキットの取り付けでは、以下のような作業を行います。

- 1 ラックの扉の取り外し
- 2 ラックに印を付ける
- 3 ラックへの取り付け用レールの取り付け
- 4 タワーラック転換キットの取り付け (必要な場合)
- 5 ラックへのシステムの取り付け
- 6 ラックの扉の取り付け


 **メモ**：以下の手順は、特に指定がない限り、Dell のラックキャビネットと Dell 以外のメーカーのラックキャビネットの両方に適用されます。

ラックの扉の取り外し

扉を取り外す手順については、Dell 24-U および 42-U ラックキャビネットに付属のマニュアルを参照してください。Dell PowerEdge™ 4210 ラックキャビネットの場合は、『Dell PowerEdge 4210 ラック取り付けガイド』を参照してください。Dell 以外のメーカーのラックキャビネットの場合は、メーカーのマニュアルを参照して扉を取り外してください。

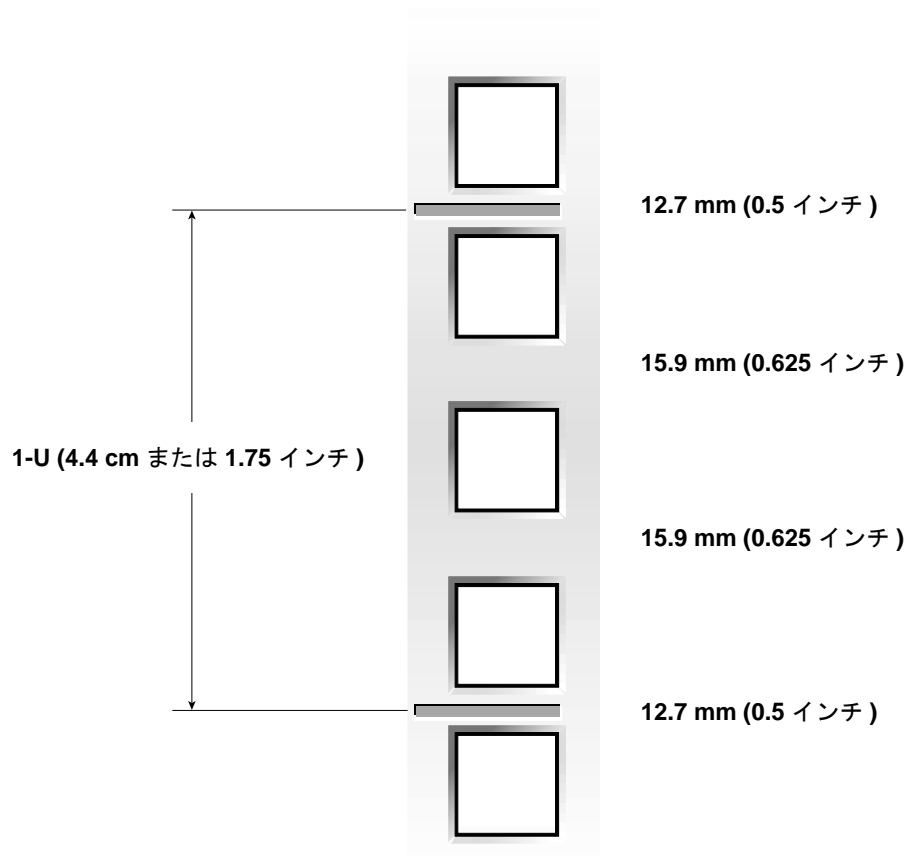
 **警告:** ラックキャビネットの扉の大きさと重さを考慮して、取り付けまたは取り外しは1人では行わないでください。

ラックに印を付ける

 **メモ :** VersaRails ラックキットを取り付ける場合は、「VersaRails 取り付け用レールの取り付け」の手順に進んでください。

ラックに取り付けるシステムごとに 3-U (5.25 インチ) の垂直スペースが必要です。Dell のラックキャビネットと EIA-310 規格に適合している Dell 以外のメーカーのラックキャビネットの前後の垂直レールには、1-U ごとに 3 つの穴が一定の間隔で開けられています。1-U スペースの一番上の穴を起点とした穴の中心から中心までの間隔は、15.9 mm、15.9 mm、12.7 mm (0.625 インチ、0.625 インチ、0.5 インチ) となっています (図 5-3 参照) 。

図 5-3. ラックの 1-U



Dell ラックに部品を取り付ける際の要件については、Dell Rack Advisor ソフトウェアで詳しく説明しています。ソフトウェアは Dell の Web サイトで入手できます。

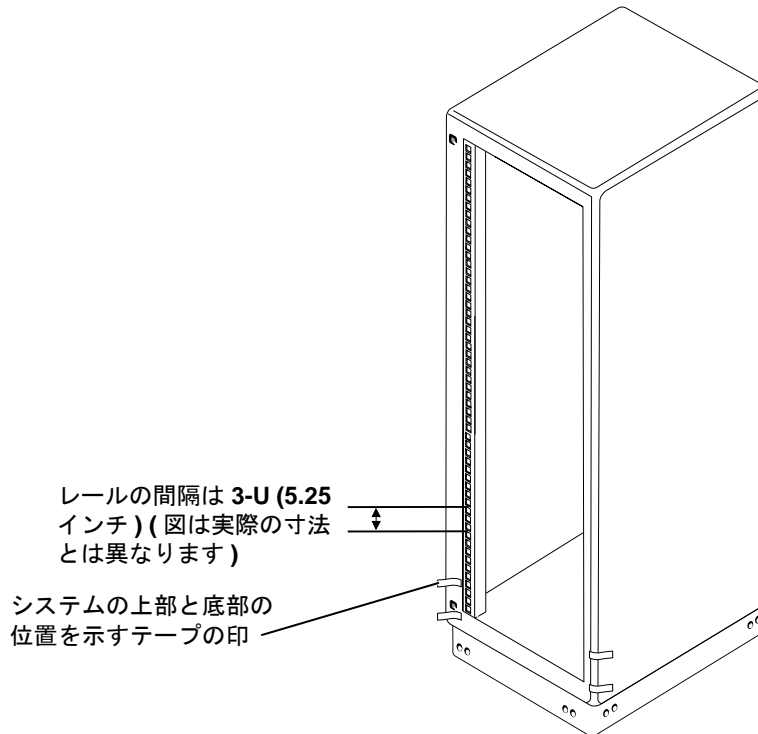
<http://support.jp.dell.com>

警告: 2 基以上のシステムを取り付ける場合は、ラックの最下段に 1 基目のシステムを取り付けられるように取り付け用レールをセットしてください。

次の手順に従って、ラックに印を付けます。

- 1 前部垂直レール上で、ラックキャビネットに取り付けるシステムの底部の位置を決め、印を付けます。
1-Uスペースの底部は、間隔が狭い2つの穴の間にある金属部分の真ん中になります(ラックキャビネットによっては水平なラインが刻まれている場合があります。図5-3を参照してください)。
- 2 初めの印から 13.3 cm (5.25 インチ) 上の位置 (EIA-310 規格に適合するラックの場合は9個上の穴)に印を付けます。次に、前部垂直レール上でシステムの上部が収まる位置を確認し、マジックペンやマスキングテープで印を付けます(図5-4参照)。

図 5-4. 垂直レールに印を付ける

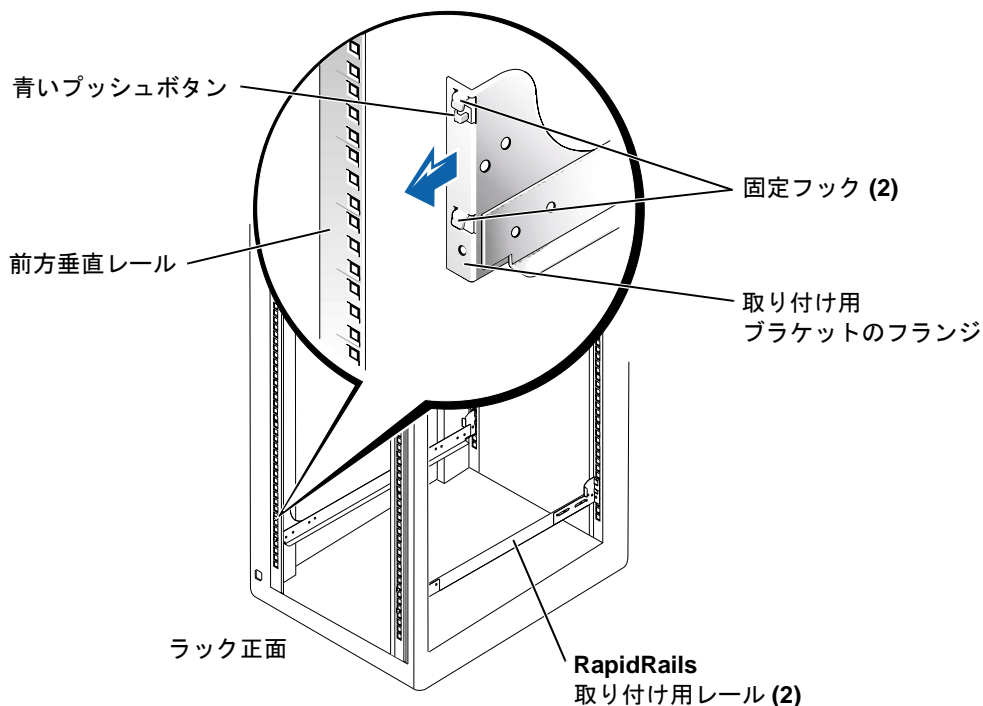


RapidRails 取り付け用レールの取り付け

メモ：VersaRails レールを取り付ける場合は、「VersaRails 取り付け用レールの取り付け」を参照してください。


- 1 ラックキャビネットの正面から取り付け用レールの一方を挿入し、垂直レールに付けた印またはテープの間に取り付け用ブラケットのフランジをセットできるように位置を調整します(図 5-5 参照)。
- 2 レール取り付け用ブラケットのフランジを、前部垂直レールの正面にある正方形の穴に合わせます(図 5-5 参照)。
- 3 レールを前に押し固定フックを垂直レールの正方形の穴に入れ、取り付け用ブラケットのフランジを下に押し固定フックを正方形の穴にはめ込みます。完全にはまると、青いプッシュボタンが飛び出してカチッという音がします。

図 5-5. RapidRails 取り付け用レールの取り付け



- 4 キャビネットの背面から、取り付け用ブラケットのフランジを後ろに引いて固定フックを垂直レールの正方形の穴に入れ、フランジを下に押しつけて固定フックを正方形の穴にはめ込みます。完全にはまると、青いプッシュボタンが飛び出してカチッという音がします。
- 5 ラックの反対側のレールで、手順 1～4 を繰り返します。
- 6 左右の垂直レールで、取り付け用レールが同じ位置に取り付けられていることを確認します。

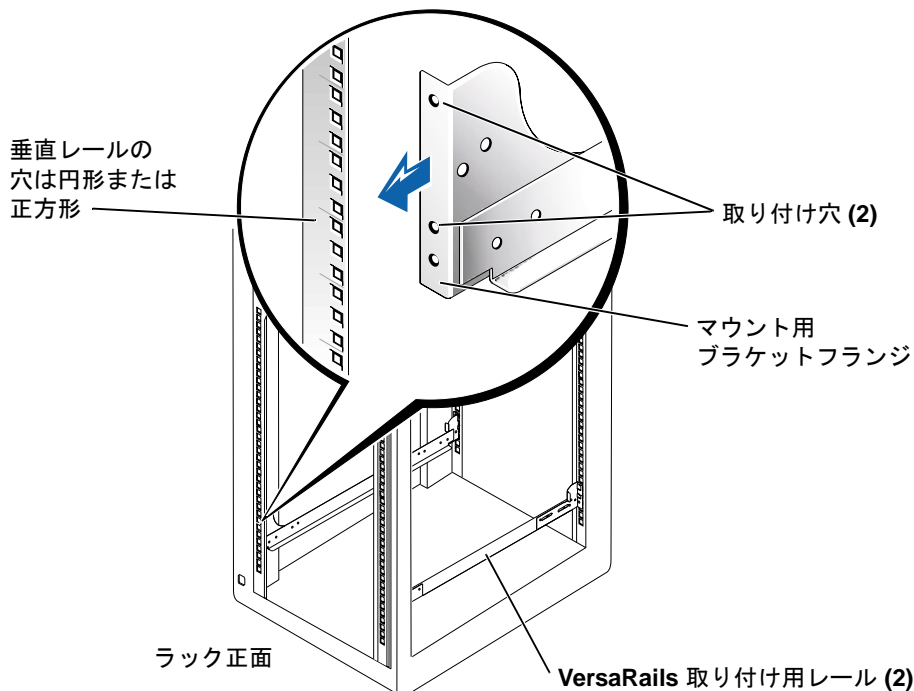
VersaRails 取り付け用レールの取り付け

 **メモ**：RapidRails 取り付け用レールを取り付けた場合は、この手順を省いてください。

- 1 ラックキャビネットの正面から取り付け用レールの一方を挿入し、選択した高さに取り付け用ブラケットのフランジをセットできるように位置を調整します（図 5-6 参照）。


ラックキャビネットの垂直レールの穴は円形または正方形です。


図 5-6. VersaRails 取り付け用レールの取り付け



- 2 取り付け用レールを前に押し、取り付け穴と前部垂直レールの穴を合わせます。
- 3 10-32 x 0.5 プラスネジ 2 本を使って、前部取り付け用ブラケットのフランジを前部垂直レールに固定します。
- 4 キャビネットの背面から、後部取り付け用ブラケットのフランジを後ろに引いて、フランジと後部垂直レールの穴を合わせます。
- 5 10-32 x 0.5 プラスネジ 2 本を使って、後部取り付け用ブラケットのフランジを後部垂直レールに固定します。
- 6 ラックの反対側のレールで、手順 1 ~ 5 を繰り返します。
- 7 左右の垂直レールで、取り付け用レールが同じ位置に取り付けられていることを確認します。

タワーラック転換キットの取り付け

 **メモ**：ラック専用バージョンのシステムを取り付ける場合は、この手順を省いて「ラックへのシステムの取り付け」を参照してください。

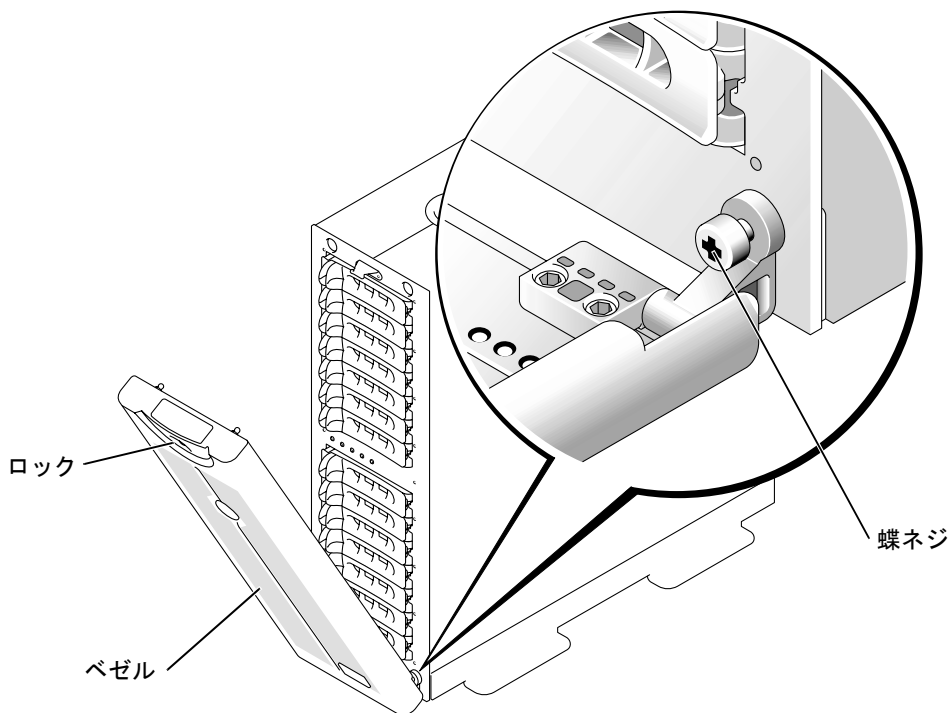
 **警告**：システムは非常に大きく相当な重量があります。傷害事故が発生するのを避けるため、一人でシステムを移動させようとしないでください。

タワーラック転換キットには、ラックハンドルと蝶ネジ付きのラック正面パネルが入っています。


ベゼル、ドライバ、カバー、正面パネルの取り外し

- 1 システムをシャットダウンして電源を切り、電源ケーブルと周辺機器のケーブルを取り外します。
- 2 ベゼルを取り外します (図 5-7 参照)。
 - a システムキーを使って正面ベゼルのロックを外します。
 - b ベゼルの下に開き、システムと垂直になるまで下げます。
 - c ベゼルの蝶番を正面パネルに固定している 2 本の蝶ネジを回して外します (図 5-7 参照)。
 - d ベゼルの引き抜いて別にしておきます。

図 5-7. 正面ベゼルの取り外し



- 3 すべてのハードドライブにラベルを貼り、システムから取り外します。

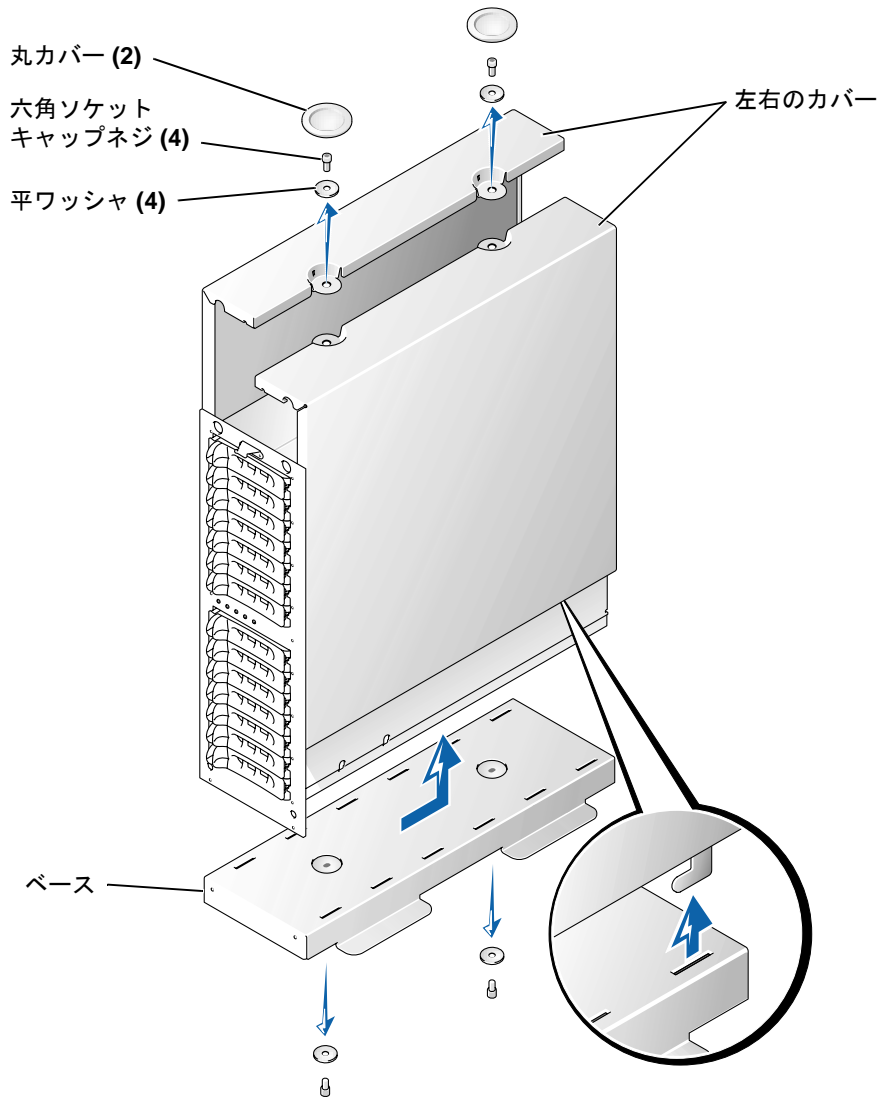
 **メモ**：シャーシの転換では特に必要な作業ではありませんが、この手順を行うときに、システムシャーシ背面の2つの電源および冷却モジュールを取り外して、シャーシの重量を軽くすることができます(これらのモジュールの取り外し方と取り付け方については、システムの『Installation and Troubleshooting Guide』を参照してください)。

- 4 システムの左右のカバーを取り外します(図 5-8 参照)。
 - a タワーシステム上部にある2つの丸カバーを取り外します。
 - b 3/16 インチ六角 (Allen) レンチを使って、タワーシステム上部から六角ソケットキャップネジと平ワッシャを取り外します。
 - c 左右のカバーをシャーシ正面から後ろにスライドさせて外し、上に引き上げてベースから取り外します。

5 タワーシステムのベースを取り外します。

- a 右側を下にしてシステムを置きます。
- b 3/16 インチ六角 (Allen) レンチを使って、タワーシャーシのベースから 2 本の六角ソケットキャップネジと平ワッシャを取り外します。
- c ベースを取り外して別にしておきます (図 5-8 参照)。

図 5-8. タワーシステムカバーの取り外し



- 6 タワーシステムの正面パネルを取り外します (図 5-9 参照)。
 - a 正面パネルがテーブルや作業台の端から 2.5 cm (1 インチ) ほど出るようにしてシステムを置きます。
 - b タワー正面パネルをシャーシに固定している 14 4-40 x 0.25 インチの黒い T-10 Torx ナベネジを取り外します。
 - c 正面パネルをシステムシャーシから取り外します。正面パネルに通されている 5 本のプラスチックライトパイプを折らないように注意してください。

ラック正面パネルの取り付け



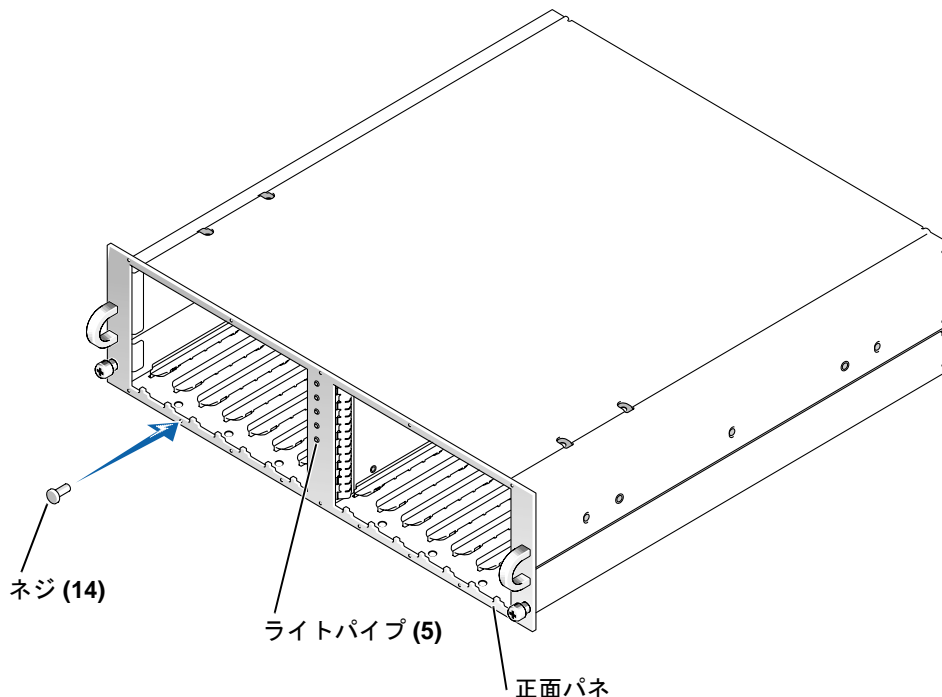
- 1 システムシャーシ前面にラック正面パネルをかぶせます。正面パネルの穴に 5 つのライトパイプを通してください。
 -  メモ: 次の手順では、位置を正しく合わせるために、すべての 14 T-10 Torx ネジをネジ穴に差し込んでから締め付けてください。
- 2 前述の「ベゼル、ドライバ、カバー、正面パネルの取り外し」の手順 6 で取り外した 14 T-10 Torx ネジを使って、ラック正面パネルをシャーシに固定します (図 5-9 参照)。
- 3 電源および冷却モジュールを取り付けます (取り外した場合)。
 -  メモ: 次の手順の「ラックへのシステムの取り付け」が完了するまで、ハードドライブは取り付けないでください。

図 5-9. ラック正面パネルの取り付け



ラックへのシステムの取り付け

⚠ 警告: 2 台以上のシステムを取り付ける場合は、最も重いシステムをラックの最下段の位置に取り付けてください。

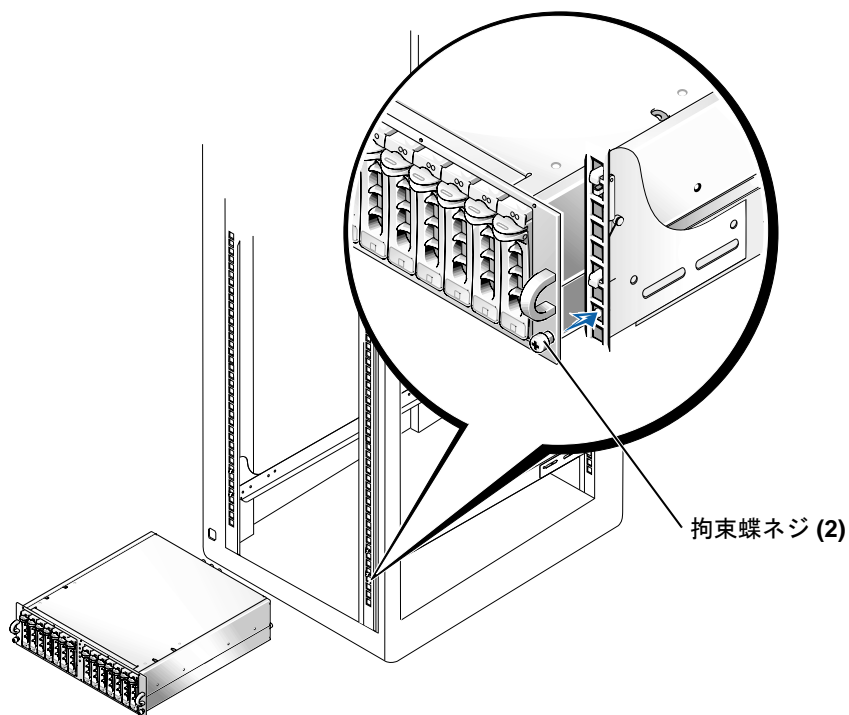
⚠ 警告: 一度に複数のコンポーネントをラックから引き出さないでください。

- 1 システムを持ち上げて、ラックキャビネットに固定した取り付け用レールに載せます。

⚠ 警告: システムの大きさと重さを考慮して、システムの実装は 1 人では行わないでください。

- 2 システムをラックの中にスライドさせ、システムの正面パネルと垂直レールが接触するところまで押し込みます (図 5-10 参照)。
- 3 システムの正面パネルの左右にある拘束蝶ネジを締め付けます。

図 5-10. ラックへのシステムの取り付け



ラックの扉の取り付け

扉を取り付ける手順については、Dell 24-U および 42-U ラックキャビネットに付属のマニュアルを参照してください。Dell PowerEdge 4210 ラックキャビネットの場合は、『Dell PowerEdge 4210 ラック取り付けガイド』を参照してください。Dell 以外のメーカーのラックキャビネットの場合は、メーカーのマニュアルを参照して扉を取り付けてください。

これでラックへのシステムの取り付けは完了です。

索引

D

- Dell Web サイト, 5-7
- Dell 以外のメーカーのラック要件, 5-4
- Dell ラックの要件, 5-3

R

- RapidRails
 - キットの内容, 5-3
- RapidRails 取り付け用レール
 - 取り付け, 5-9

V

- VersaRails
 - Dell 以外のメーカーのラックの要件, 5-4
 - キットの内容, 5-3

あ

- 安全に関する注意, 5-4

き

- キットの内容
 - RapidRails キット, 5-3
 - 一覧, 5-3
 - 図, 5-3, 5-4
 - リスト, 5-3
 - VersaRails キット, 5-3

こ

- 工具
 - 推奨, 5-5

し

- システム
 - ラックへの取り付け, 5-15, 5-16

す

- 垂直レール
 - 1 ラックユニット, 5-7
 - 印付け, 5-8

た

- タワーラック
 - 取り付け, 5-11

と

- 扉
 - 取り付け, 5-16
 - 取り外し, 5-6
- 取り付け
 - RapidRails 取り付け用レール, 5-9
 - VersaRails 取り付け用レール, 5-10
 - 作業, 5-5
 - タワーラックキット, 5-11
 - ラック正面パネル, 5-14
 - ラックのシステム, 5-15, 5-16

よ

- 要件
 - Dell 以外のメーカーのラック, 5-4
 - Dell ラック, 5-3

ら

ラック, 5-5

印を付ける, 5-6

ラックキットの内容, 5-3

図, 5-3, 5-4

リスト, 5-3

取り付け, 5-5

ラックに印を付ける, 5-6

ラックユニット, 5-7